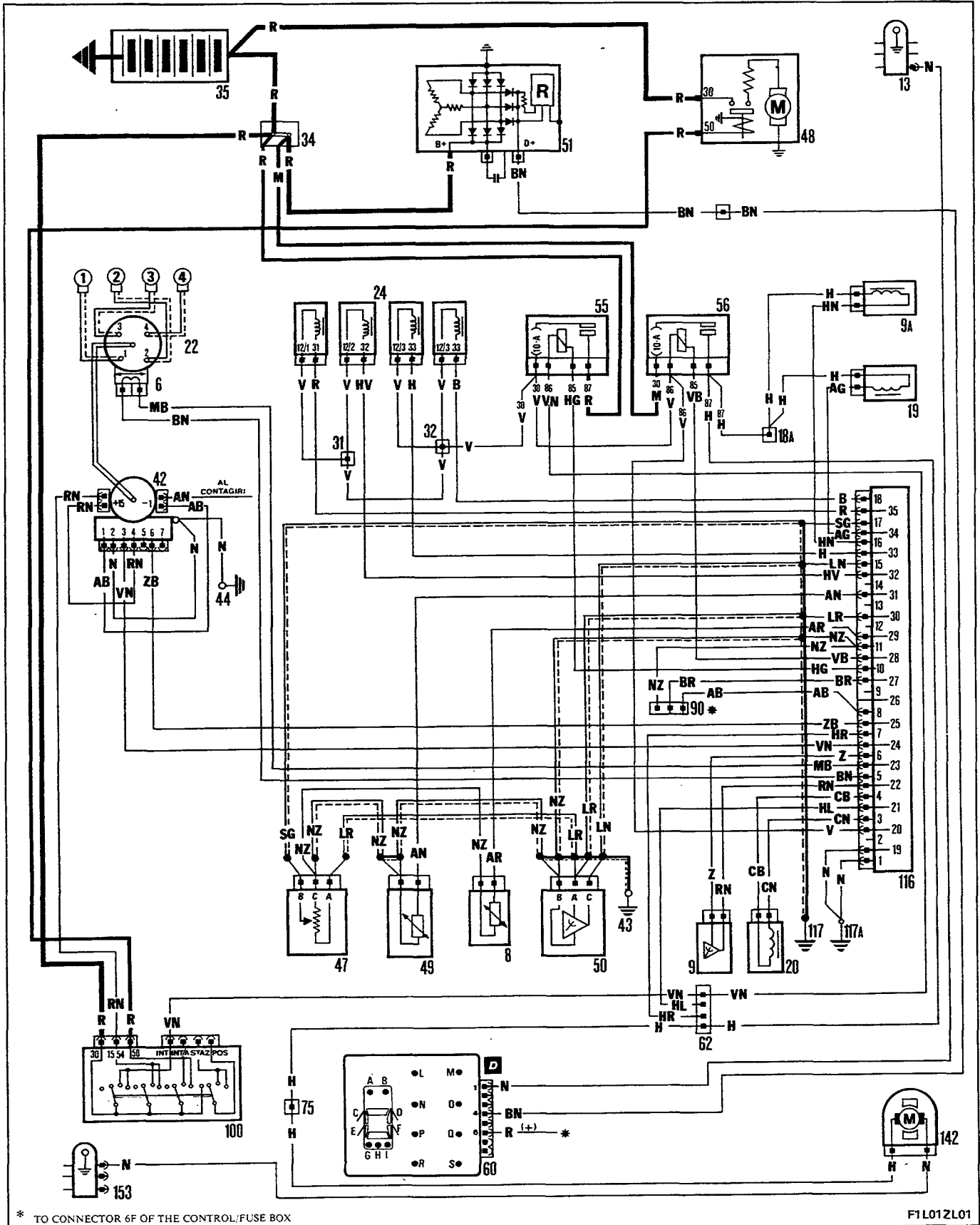


page

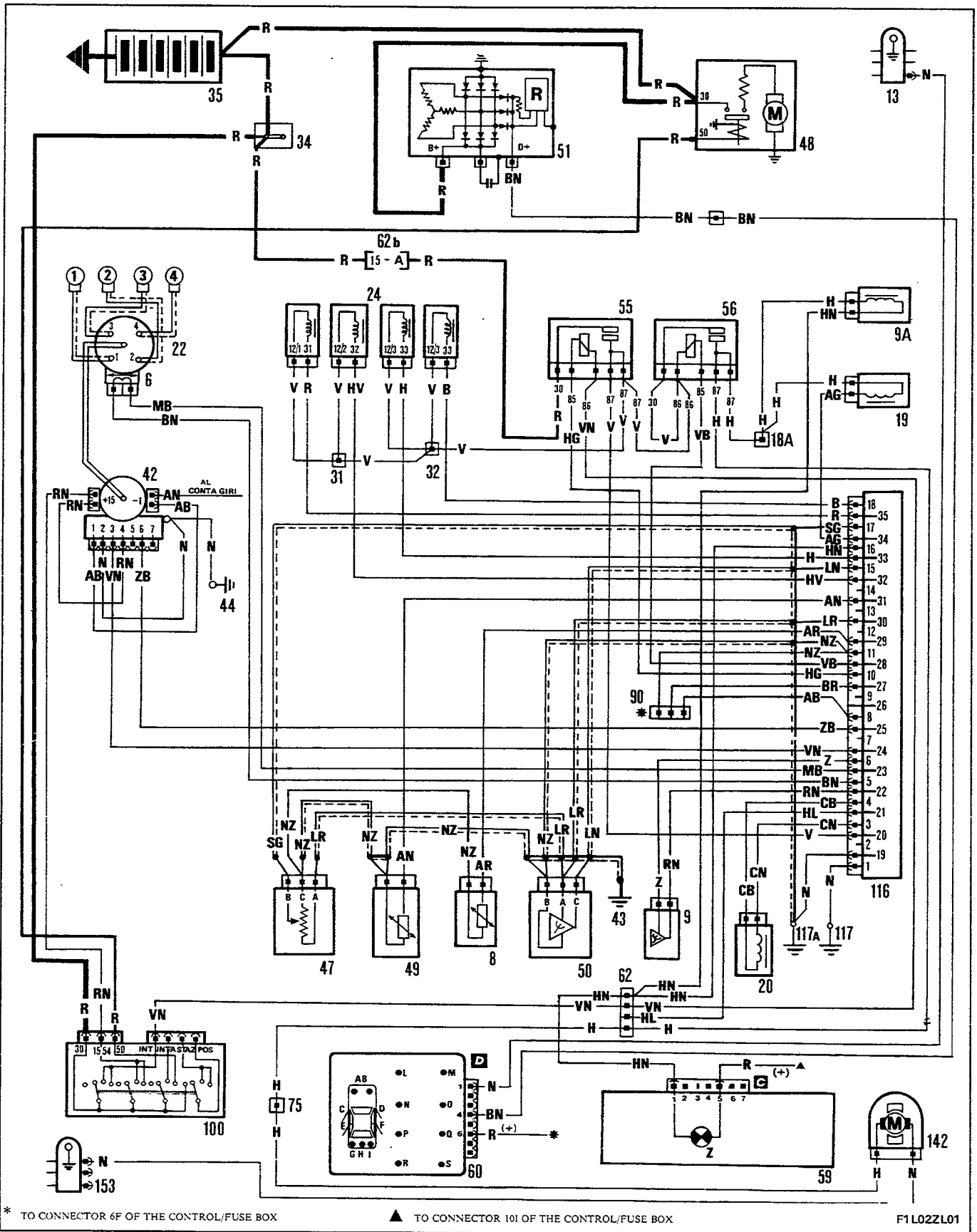
- Wiring diagrams 1
- Key 13

Starting - Recharging - WEBER Ignition/Injection (ante-modification I.A.W.) - Electric fuel pump (see page 13 for key).

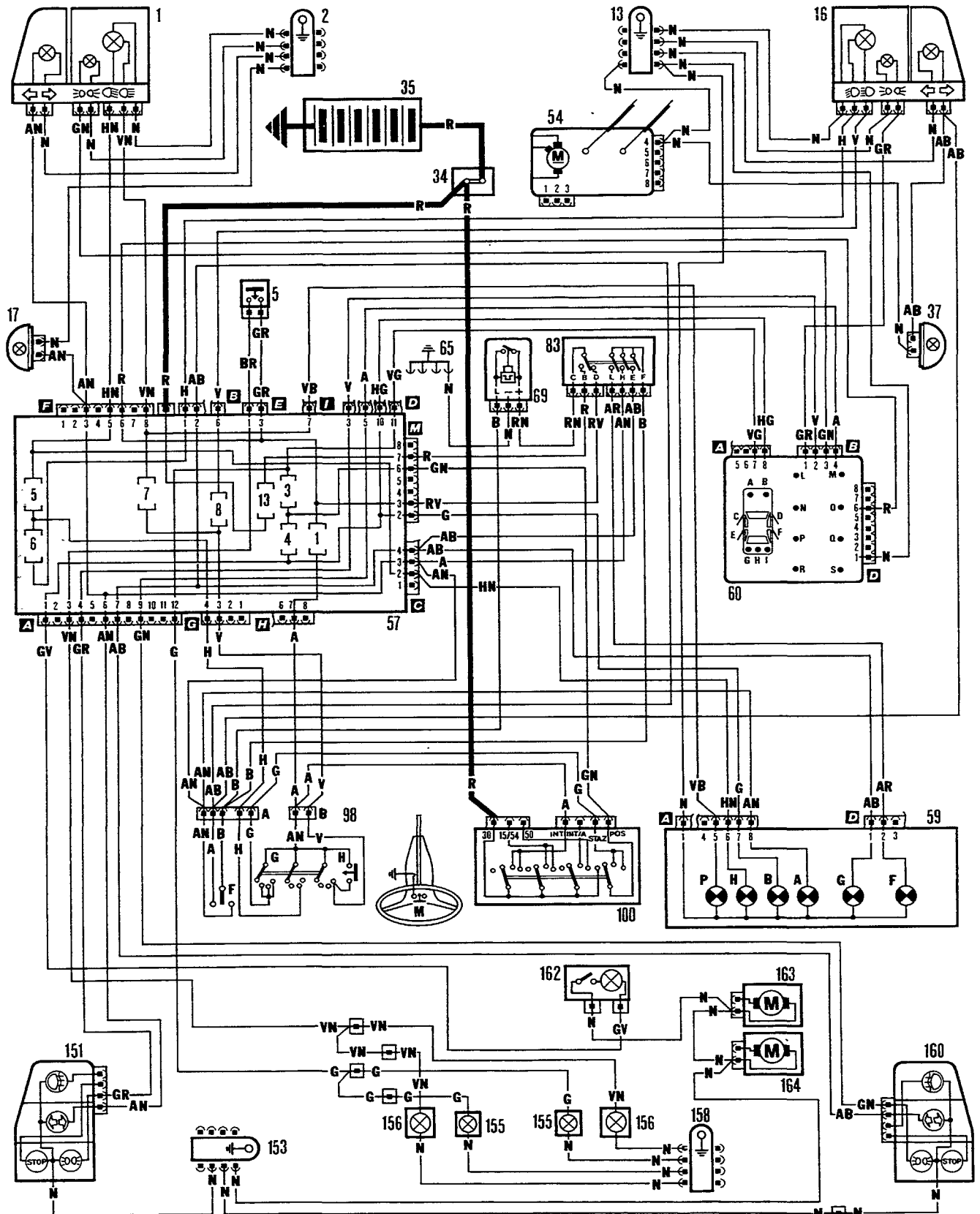


55.

Starting - Recharging - WEBER Ignition/Injection (post-modification I.A.W.) - Electric fuel pump (see page 13 for key).

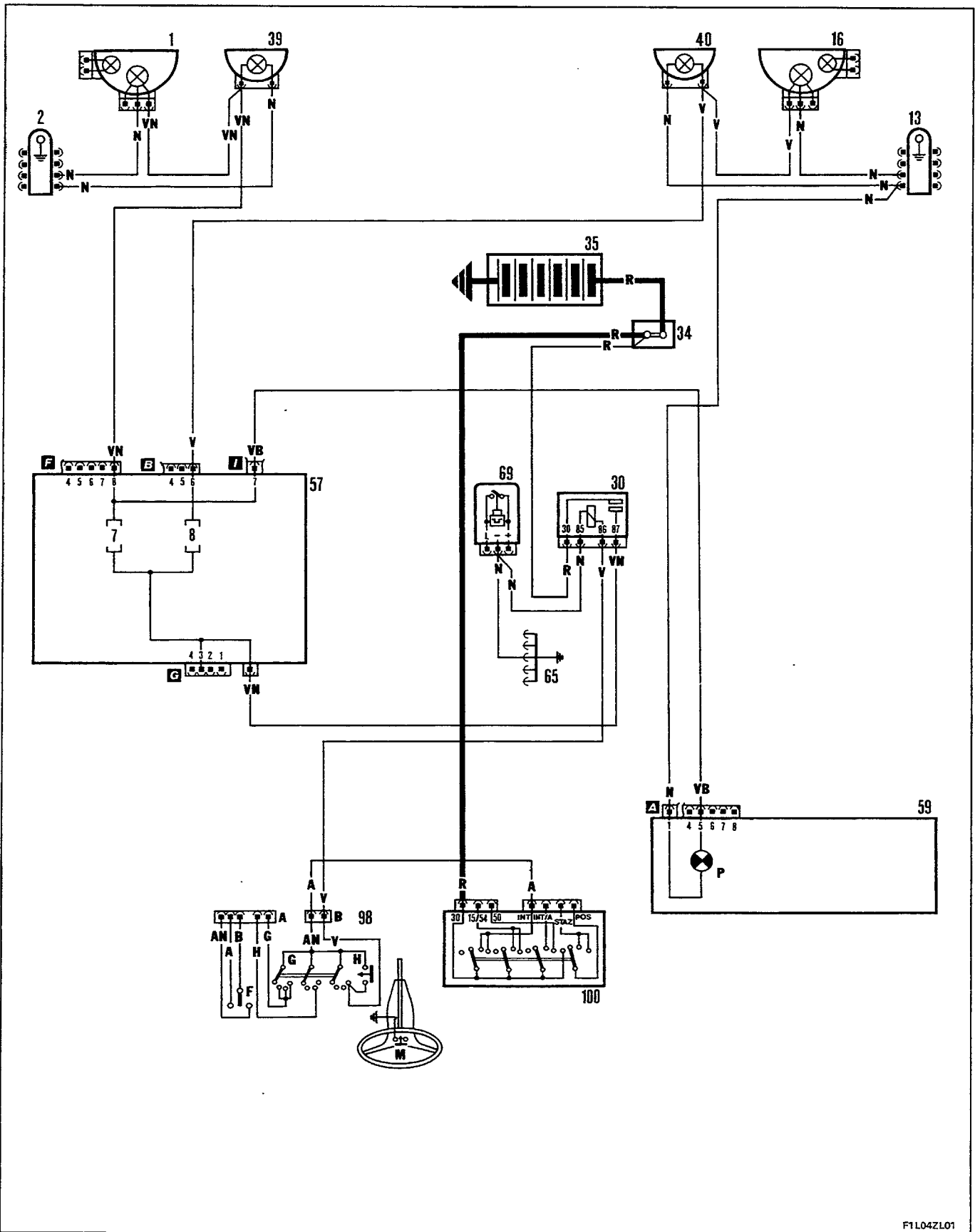


Side lights and warning light - Dipped headlamps - Main beam headlamps and warning light (additional driving lights - see wiring diagram on page 4) - Flashers - Direction indicators and warning light - Hazard warning lights and warning lights - Reversing lights - No. plate lights - Luggage compartment light (see page 13 for key).

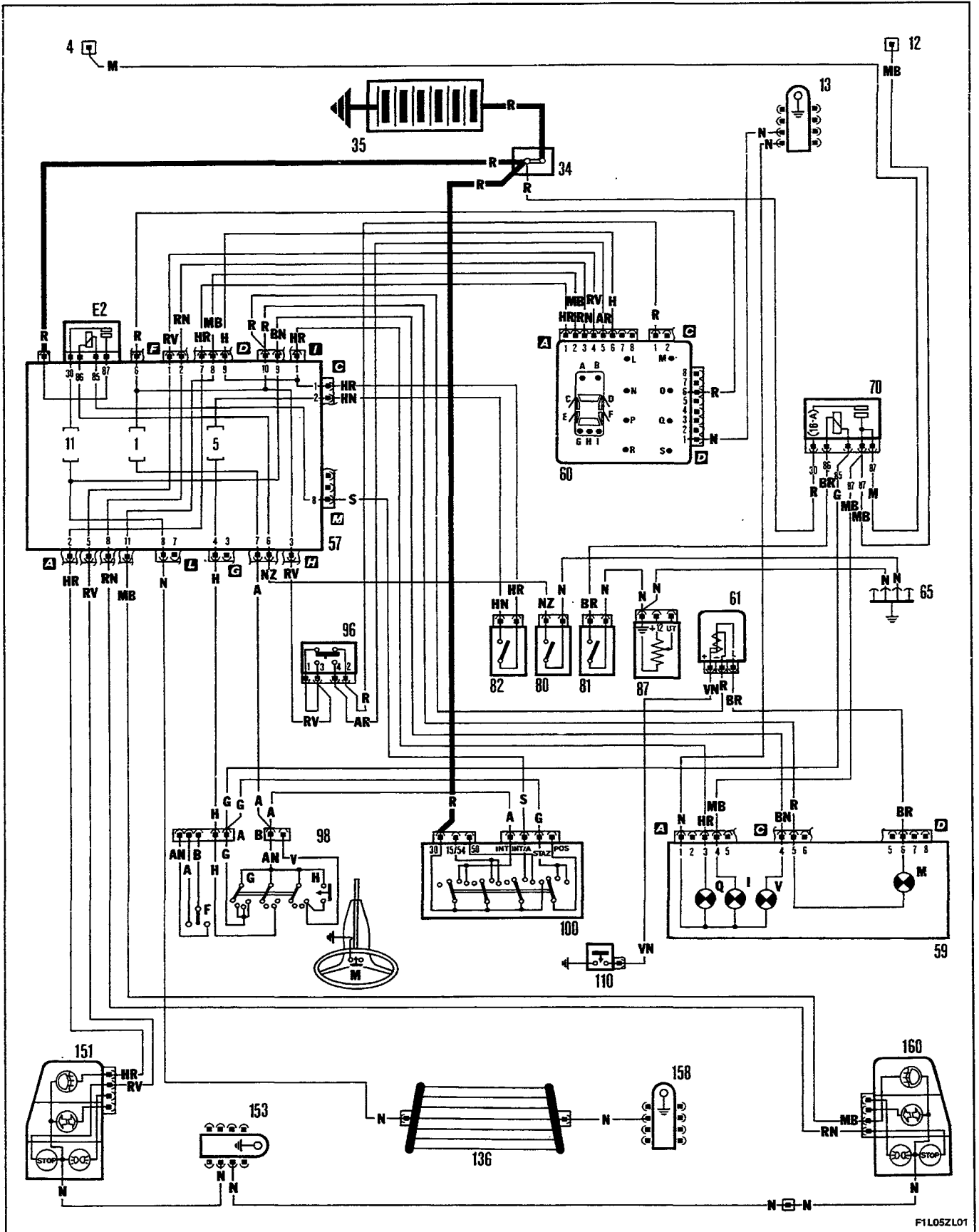


55.

Additional driving lights (see page 13 for key).

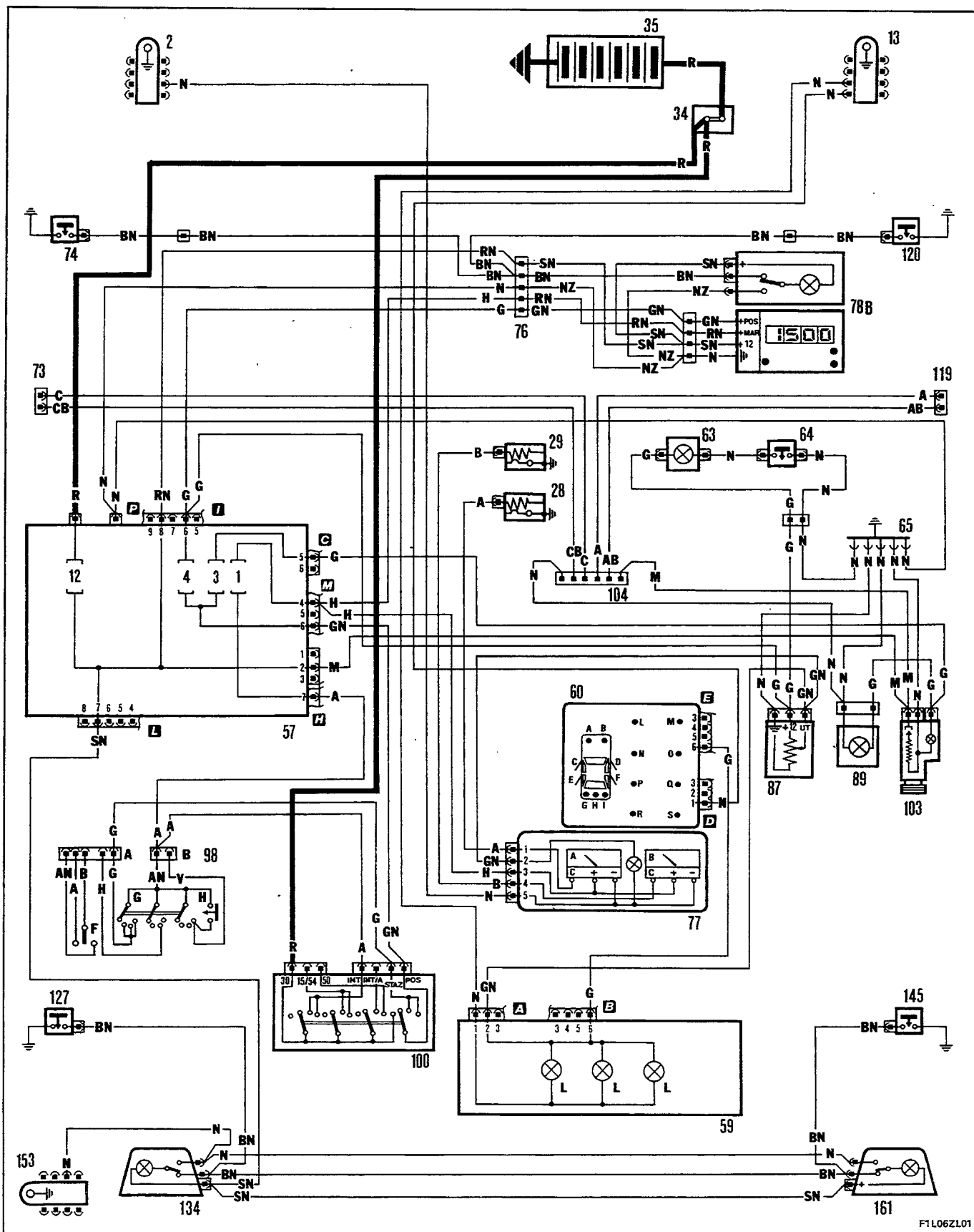


Heated rear windscreen and warning light - Wiring for fog lamp and warning light - Rear fog lamps and warning light - Brake lights - Handbrake warning light (see page 13 for key).



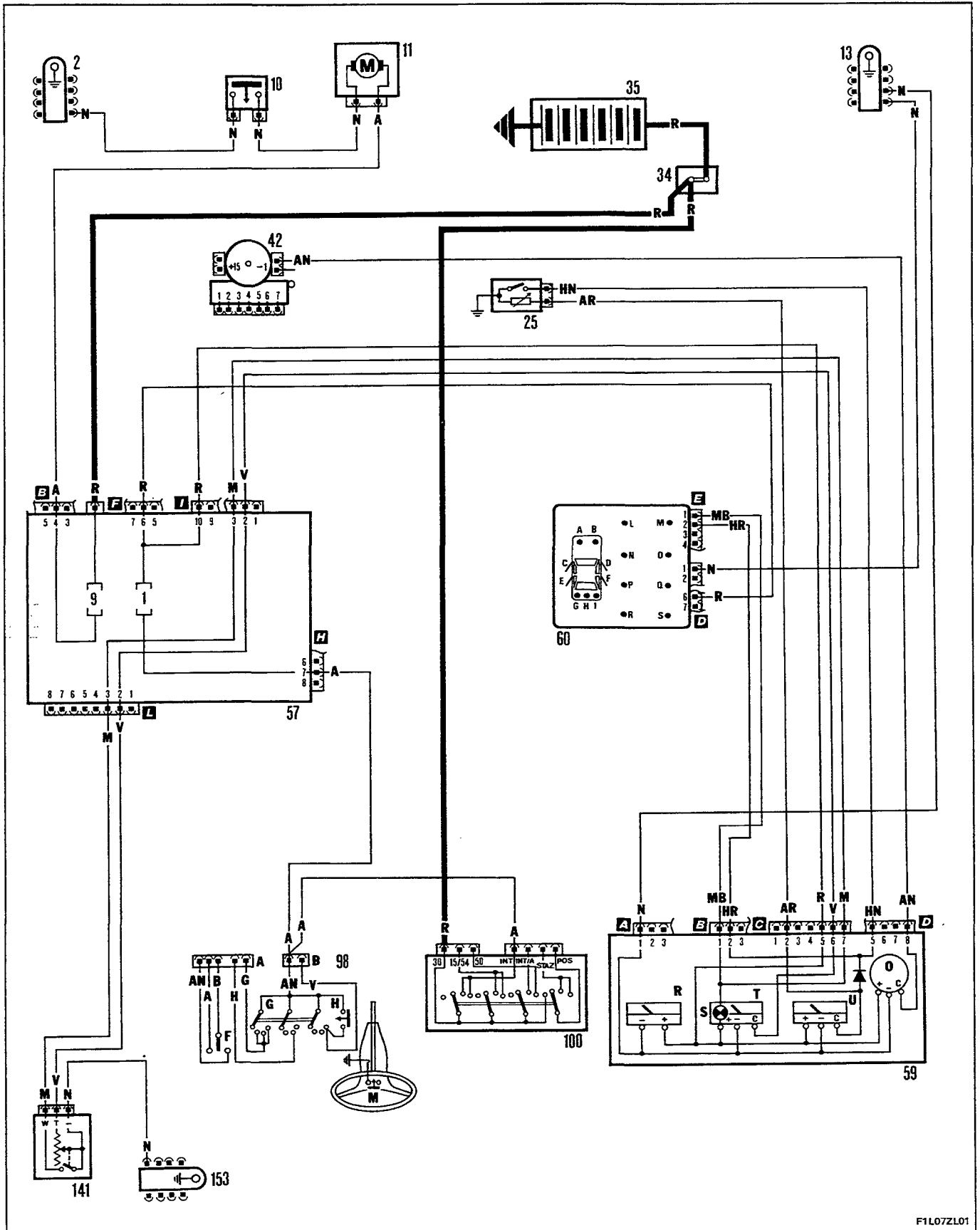
55.

Courtesy lights - Glove compartment light - Cigar lighter - Combination of instruments (A. Oil pressure gauge - B. Oil temperature gauge) - Digital clock - Wiring for radio - Fibre optic lights for switches - Instrument panel and Control-System light (see page 13 for key).



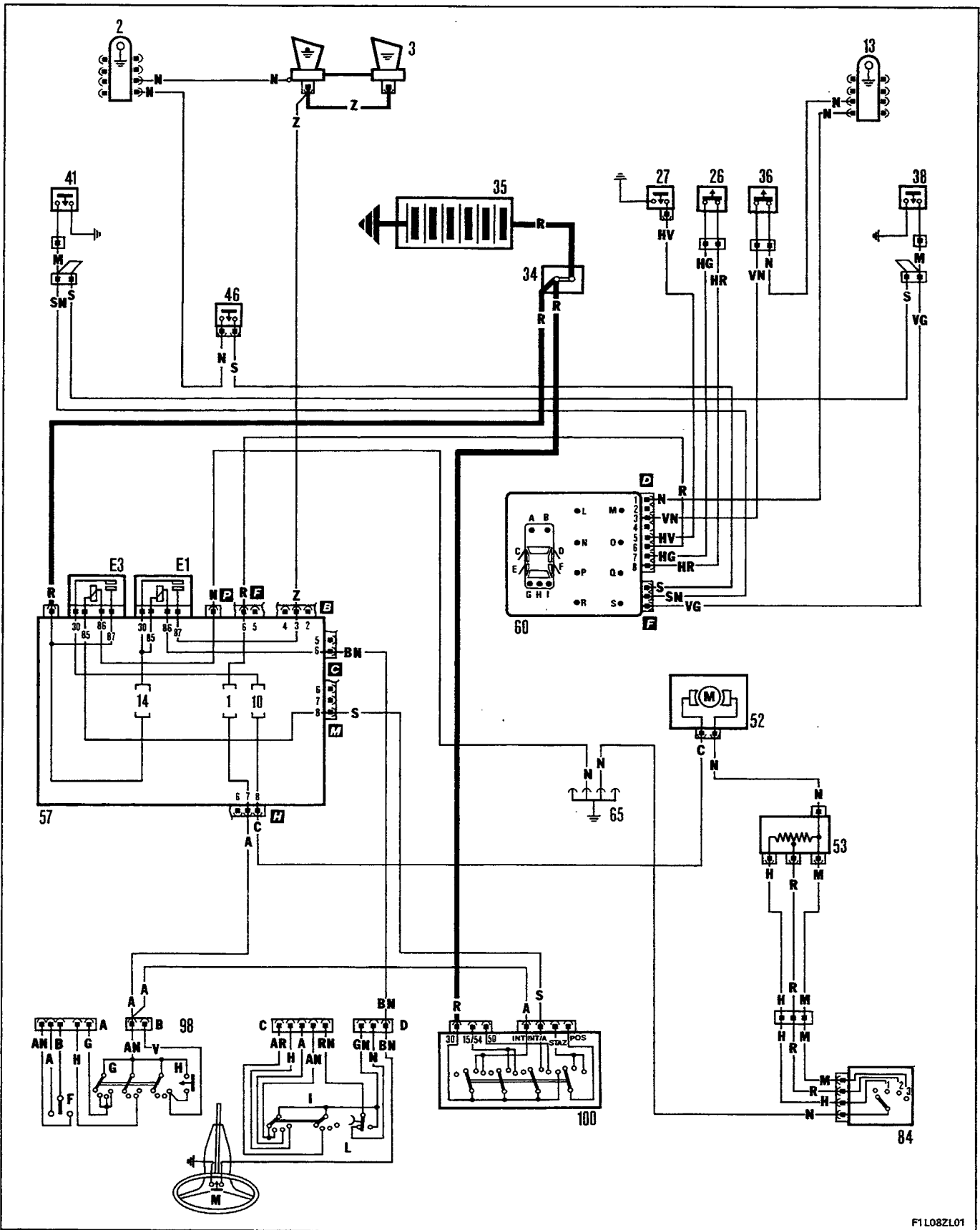
F1L06ZL01

Engine radiator - Fuel gauge and reserve warning light - Rev counter - Voltmeter - Coolant temperature gauge and overheating warning light (see page 13 for key).

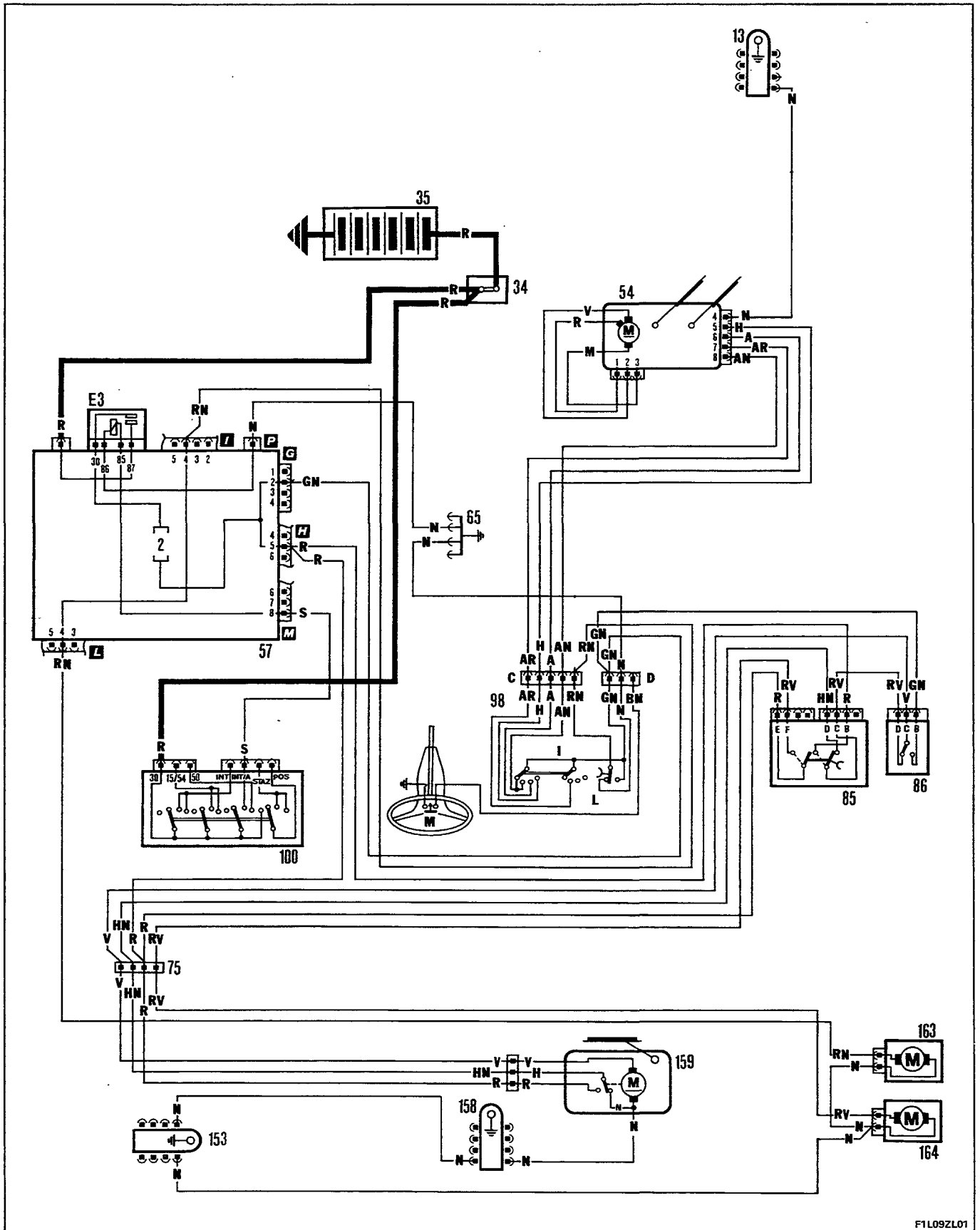


55.

Electric horns - Car interior ventilation - Front brake pad wear - Insufficient brake fluid level - Insufficient engine oil pressure - Insufficient engine oil level - Insufficient coolant level (see page 13 for key).



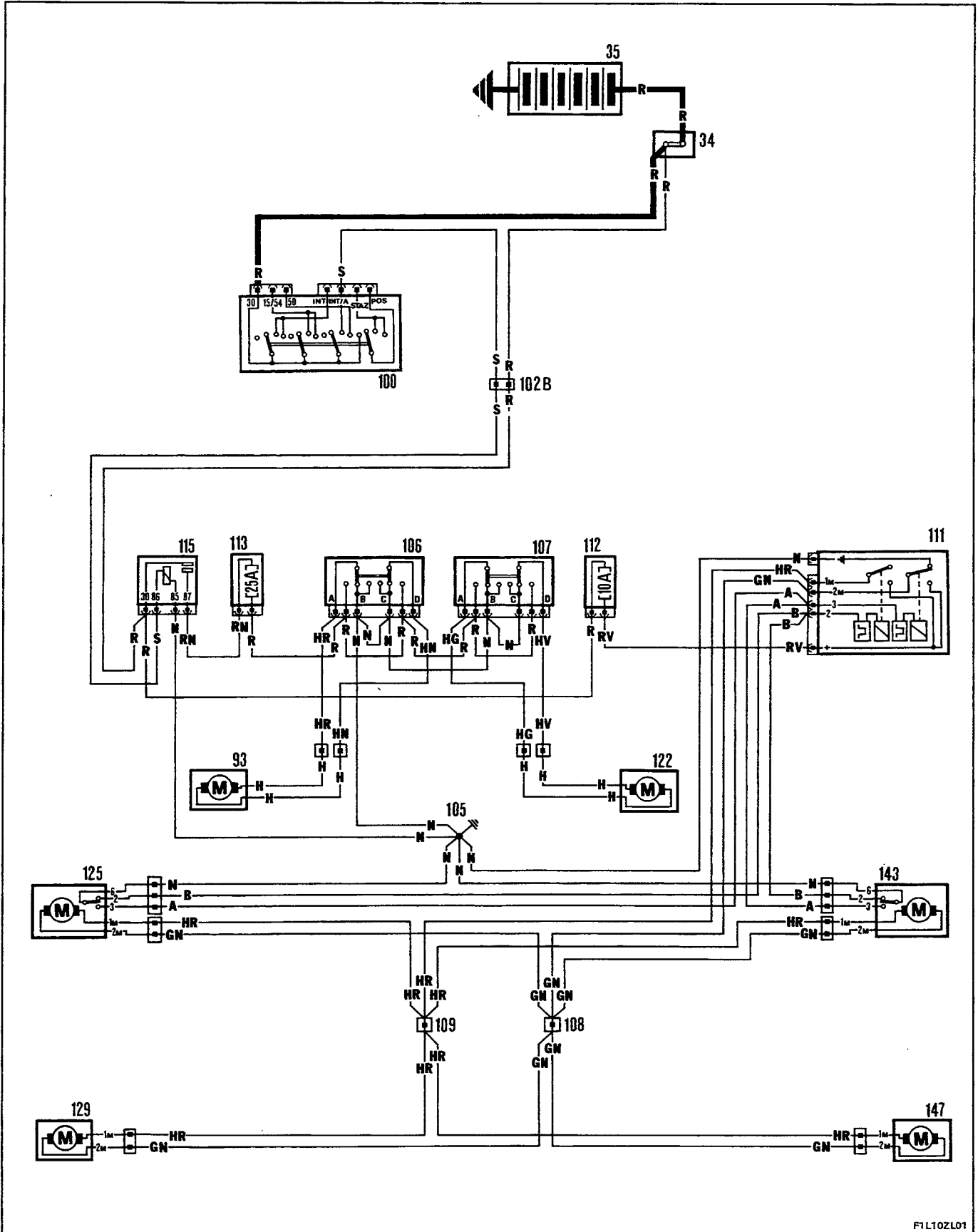
Windscreen wiper - Electric windscreen washer pump - Rearscreen wiper - Electric rearscreen washer pump (see page 13 for key).



F1L09ZL01

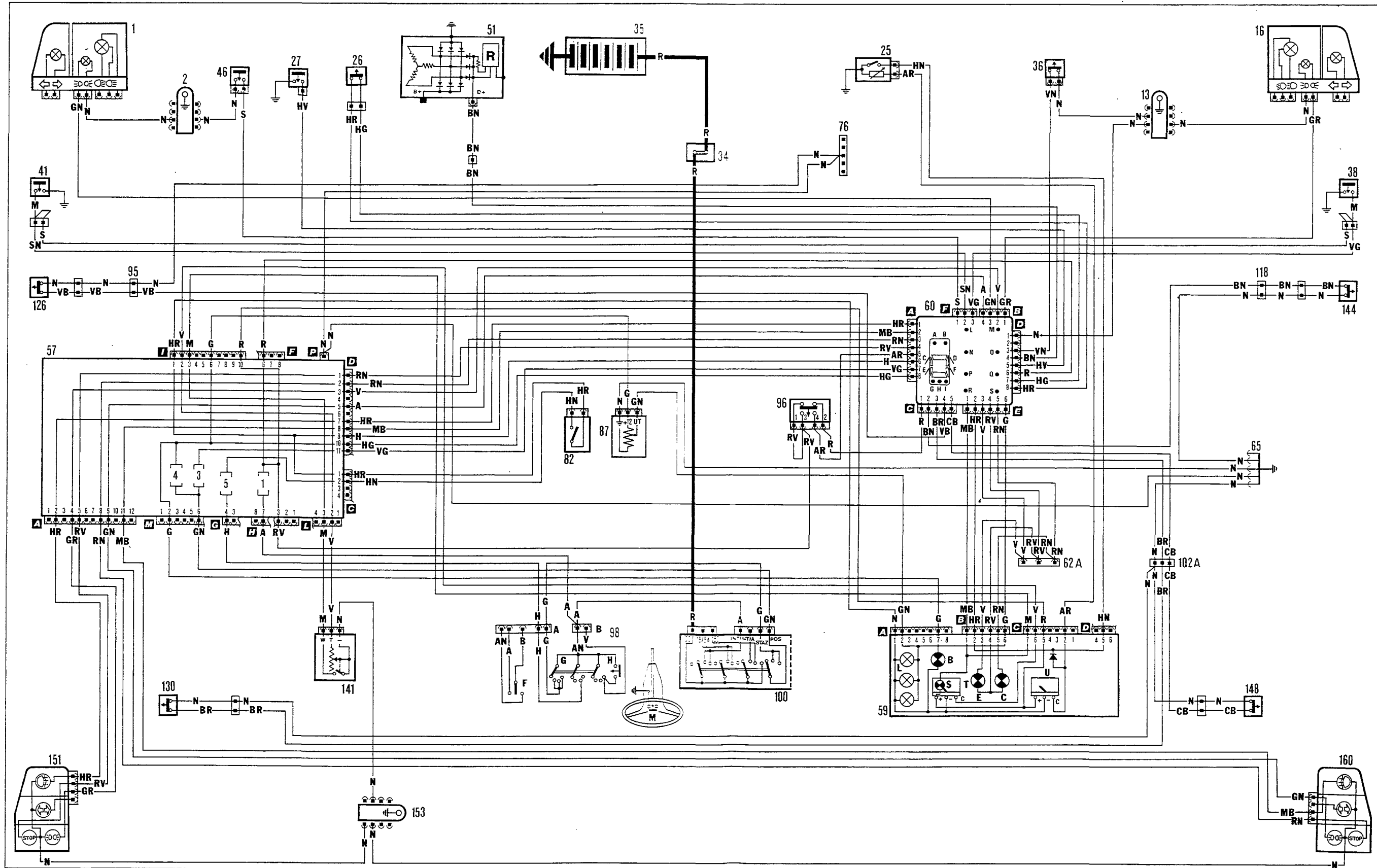
55.

Electric front windows - Central door locking (see page 13 for key).



FI110ZL01

Control-System



1. Left front light cluster
2. Left front earth cable loom
3. Electric horns
4. Wiring for left fog lamp
5. Reversing lights switch
6. Timing sensor (located in distributor)
7. Left headlamp wiper
- 7A. Starter inhibitor switch on automatic gearbox
- 7B. Automatic gearbox oil temperature sender unit
8. Coolant temperature sensor (I.A.W.)
9. Detonation sensor
- 9A. Over-boost valve
10. Thermostatic switch for radiator cooling fan
- 10A. Thermostatic switch for radiator cooling fan
11. Electric radiator cooling fan
- 11A. Additional radiator cooling fan
12. Wiring for right fog lamp
13. Right front earth cable loom
15. Right headlamp wiper
16. Right front light cluster
17. Left side direction indicator
- 18A. Connector block
19. Automatic idle adjustment solenoid air valve (I.A.W.)
20. Engine rpm and TDC sensor (I.A.W.)
21. Earth points
22. Distributor
23. Spark plugs
- 23B. Heater plugs
24. Fuel injectors
25. Coolant temperature sender unit
26. Engine oil level sensor
27. Insufficient engine oil pressure switch
28. Engine oil pressure sender unit
29. Engine oil temperature sender unit
30. Additional driving lights relay
31. Connector block
32. Connector block
33. Resistor for radiator cooling fan 1st speed
34. Connector block
35. Battery
36. Engine coolant level sensor
37. Right side direction indicator
38. Right front brake pad wear sensor
39. Left additional driving light
40. Right additional driving light
41. Left front brake pad wear sensor
42. Ignition coil
43. Earth on bodywork
44. Earth on engine
45. Electric headlamp washer pump
46. Brake fluid level sensor
47. Butterfly valve position sensor (I.A.W.)
48. Starter motor
49. Air temperature sensor (I.A.W.)
50. Absolute pressure sensor (I.A.W.)
51. Alternator
52. Heater fan
53. Resistor for adjusting heater fan speed
54. Windscreen wiper with built in intermittent device
55. Fuel injector relay
56. Fuel pump relay
57. Control box for fuses and relays
- E1. Electric horn relay
- E2. Heated rear windscreen relay
- E3. Relay for heater fan - windscreen wiper - rearscreen wiper - headlamp wiper
58. Connector block
59. Instrument panel
 - A. Left direction indicator warning light
 - B. Side lights warning light
 - C. Control System general warning light (red)
 - E. Go-ahead signal (green)
 - F. Hazard warning lights warning light
 - G. Right direction indicators warning light
 - H. Dipped headlamps warning light
 - I. Fog lamps warning light
 - L. Instrument panel light bulbs
 - M. Handbrake warning light
 - O. Rev counter
 - P. Main beam headlamps warning light
 - Q. Rear fog lamps warning light
 - R. Voltmeter
 - S. Fuel reserve warning light
 - T. Fuel level gauge
 - U. Coolant temperature gauge
 - V. Heated rear windscreen warning light
 - X. Heater plugs warning light
 - Y. Water in fuel warning light
 - Z. Over-boost warning light
 - W. Engine oil pressure gauge
 - K. Speedometer switch for trip computer
- 59A. Instrument panel (version without Control-System)
 - C. Battery recharging warning light
 - E. Insufficient engine oil pressure warning light
 - M. Handbrake and insufficient brake fluid level warning light
 - N. Front brake pad wear warning light
 - Z. Coolant overheating warning light
60. Control-System
 - A. Left front side light failure warning light
 - B. Right front side light failure warning light
 - C. Right front door open warning light
 - D. Left front door open warning light
 - E. Right rear door open warning light
 - F. Left rear door open warning light
 - G. Failure in left rear side lights, brake lights warning light

- H. Rear fog lamps failure warning light
- I. Right rear side lights, brake lights failure warning light
- L. Insufficient brake fluid level warning light
- M. Front brake pad wear warning light
- N. Insufficient engine oil pressure warning light
- O. Battery recharging warning light
- P. Insufficient engine oil level warning light
- Q. Insufficient coolant level warning light
- R. Automatic gearbox oil overheating warning light
- S. Coolant overheating warning light
- 61. Intermittent device for handbrake warning light
- 62. Connector block
- 62A. Diagnostic socket for Control System
- 62B. Fuel injector and electric fuel pump protective fuse
- 63. Glove compartment light
- 64. Glove compartment light push button
- 65. Earth cable loom under dashboard
- 66. Radiator cooling fan relay
- 67. Fuse
- 68. Heater plugs control unit
- 69. Intermittent device for direction indicators and hazard warning lights
- 70. Rear fog lamps relay
- 71. Sensor for water in fuel filter warning light
- 73. Wiring for left front speaker
- 74. Front courtesy light push button on left front pillar
- 75. Connector
- 76. Connector for courtesy light
- 77. Combined instrument
 - A. Oil pressure gauge
 - B. Oil temperature gauge
- 77A. Digital clock
- 78. Front courtesy light
- 78A. Trip computer
- 78B. Front courtesy light with digital clock
- 79. Engine cut out solenoid on injection pump
- 80. Heated rear windscreen switch
- 81. Fog lamps switch
- 82. Reversing lights switch
- 83. Hazard warning lights switch
- 84. Heater fan switch
- 85. Rearscreen wash/wipe switch
- 86. Rearscreen wiper switch
- 87. Instrument panel and Control System light dimmer
- 88. Rev counter signal electro-magnetic sensor
- 89. Fibre optic light for switches
- 90. Diagnostic socket
- 91. Fuse
- 92A. Thermal switch on automatic choke (P.T.C.)
- 92B. Thermal switch on idle duct (P.T.C.)
- 92C. Thermal switch for accelerator pump outlet opening cut out valve
- 92D. Plate
- 93. Left front electric window motor
- 94. Accelerator pump outlet opening cut out valve
- 95. Connector
- 96. Brake lights switch
- 96A. Brake lights switch
- 98. Steering column switch unit

- A. Connector
- B. Connector
- C. Connector
- D. Connector
- F. Direction indicators control
- G. Side lights, dipped headlamps, main beam headlamps control
- H. Main beam flasher control
- I. Windscreen wiper control
- L. Windscreen washer and headlamp wash/wipe control
- M. Electric horn control
- 100. Ignition switch
- 102A. Wiring for Control-System
- 102B. Wiring for electric windows - central locking
- 103. Cigar lighter
- 104. Wiring for radio
- 105. Earth stud
- 106. Left front electric window switch
- 107. Right front electric window switch
- 108. Connector block
- 109. Connector block
- 110. Handbrake warning light push button
- 111. Central locking control unit
- 112. Central locking control unit protective fuse
- 113. Electric front windows protective fuse
- 115. Electric windows relay
- 116. Injection/ignition control unit (I.A.W.)
- 117. Connector block
- 117A. Connector block
- 118. Connector
- 119. Wiring for right front speaker
- 120. Front courtesy light push button on right front pillar
- 122. Right front electric window motor
- 123A. Resistor (P.T.C.) on automatic choke
- 123B. Resistor (P.T.C.) on idle duct
- 124. Cut-off device electronic control unit
- 125. Left front door locking motor
- 126. Left front door open warning light push button
- 127. Rear courtesy light push button on left centre pillar
- 128. Idle cut out device (cut-off)
- 129. Left rear door locking motor
- 130. Left rear door open warning light push button
- 131. Butterfly valve position switch on carburettor (cut-off)
- 132. Digiplex electronic ignition control unit
- 133. Diagnostic socket for Digiplex control unit
- 134. Left rear courtesy light

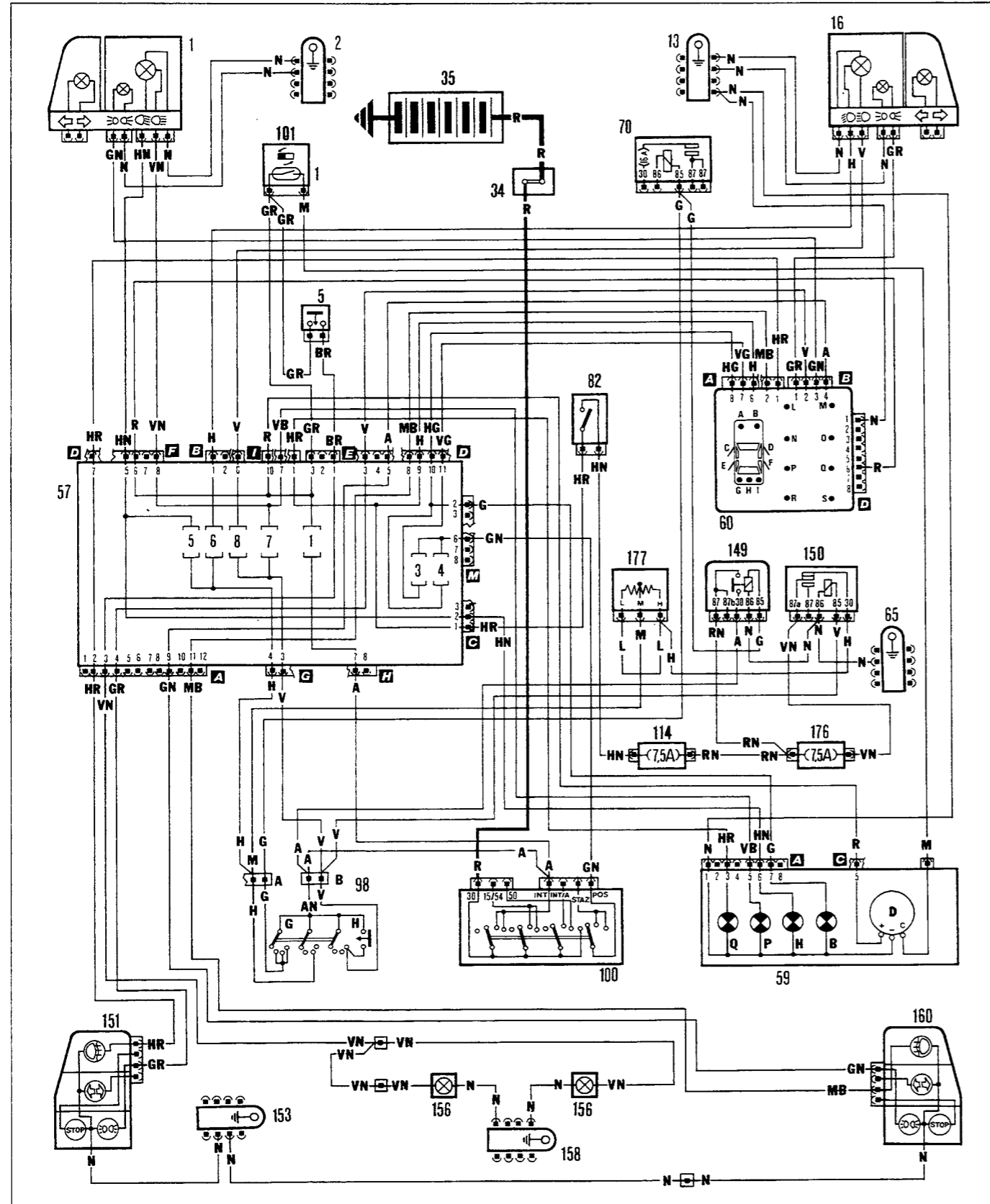
- 135. TDC and rpm sensor on pulley (2nd generation Digiplex)
- 136. Heated rear windscreen
- 137. Stater inhibitor with gear engaged relay (automatic transmission)
- 138. Fast idle valve relay (for automatic transmission)
- 139. Gear selector ideogram light
- 140. Fuel flow meter
- 141. Fuel level gauge and reserve warning light
- 142. Electric fuel pump
- 143. Right front door locking motor
- 144. Right front door open push button
- 145. Rear courtesy light push button on right centre pillar
- 146. External temperature sensor
- 147. Right rear door locking motor
- 148. Right rear door open push button
- 151. Left rear light cluster
- 153. Rear earth cable loom
- 155. No. plate lights
- 156. Reversing lights
- 158. Earth cable loom on tailgate
- 159. Rearscreen wiper
- 160. Right rear light cluster
- 161. Right rear courtesy light
- 162. Luggage compartment light
- 163. Electric windscreen washer pump
- 164. Electric rearscreen washer pump
- 165. Fast idle valve
- 166. Air conditioning system compressor pulley electro-magnet coupling
- 167. Electro-magnet coupling protective fuse
- 168. Air conditioning system electro-magnet coupling relay
- 169. Radiator cooling fan protective fuse
- 170. Radiator cooling fan relay
- 171. Air conditioning system switch
- 172. Thermal switch for air conditioning radiator and condenser fan
- 173. Thermal switch for air conditioning system safety device
- 174. Idle pressure switch
- 175. Anti-frost thermostat

Cable colour code

- A** Light Blue
- B** White
- C** Orange
- G** Yellow
- H** Grey
- L** Blue
- M** Brown
- N** Black
- R** Red
- S** Pink
- V** Green
- Z** Violet
- AB** Light Blue-White
- AG** Light Blue-Yellow
- AN** Light Blue-Black
- AR** Light Blue-Red
- AV** Light Blue-Green
- BG** White-Yellow
- BL** White-Blue
- BN** White-Black
- BR** White-Red
- BV** White-Green
- BZ** White-Violet
- CA** Orange-Light Blue
- CB** Orange-White
- CN** Orange-Black
- GN** Yellow-Black
- GL** Yellow-Blue
- GR** Yellow-Red
- GV** Yellow-Green
- HG** Grey-Yellow
- HN** Grey-Black
- HR** Grey-Red
- LB** Blue-White
- LG** Blue-Yellow
- LN** Blue-Black
- LR** Blue-Red
- LV** Blue-Green
- MB** Brown-White
- MN** Brown-Black
- NZ** Black-Violet
- RB** Red-White
- RG** Red-Yellow
- RN** Red-Black
- RV** Red-Green
- SN** Pink-Black
- VB** Green-White
- VN** Green-Black
- VR** Green-Red

Version: RIGHT HAND DRIVE

Side lights and warning light - Dipped beam dimmed with DIM-DIP device - Main beam and warning light - Flasher - Number plate light - Electronic speedometer (see key on page 19)



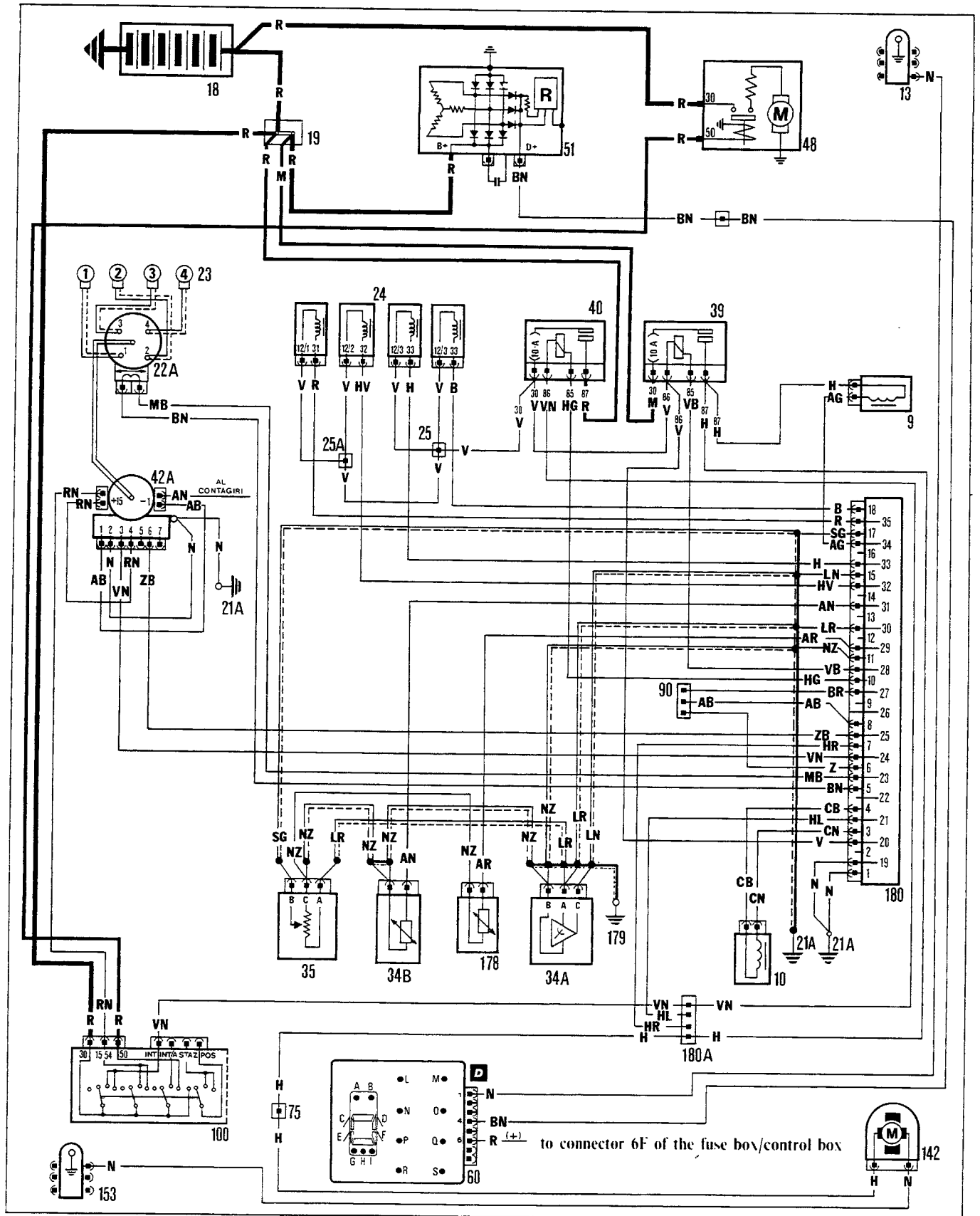
P1Q192L01

Key

- 1. L. front light cluster
- 2. L. front earth loom
- 5. Reversing light switch
- 13. R. front earth loom
- 16. R. front light cluster
- 34. Shunt node
- 35. Battery
- 57. Fuse and relay control box
- 59. Control panel
- B. Side light warning light
- H. Dipped beam warning light
- P. Main beam warning light
- Q. Rear fog lamp warning light
- 60. Check Panel
- 65. Under facia earth loom
- 70. Supplementary beam control relay
- 82. Rear fog lamp switch
- 98. Steering column switch
- 100. Ignition switch
- 101. Pulse generator
- 114. Rear fog lamp fuse
- 149. DIM-DIP cut-out relay
- 150. DIM-DIP cut-out remote control switch
- 151. L. rear light
- 153. Rear earth loom
- 156. Reversing lights
- 158. Rear earth loom
- 160. R. rear light
- 176. DIM-DIP circuit fuse
- 177. Additional DIM-DIP circuit fuse

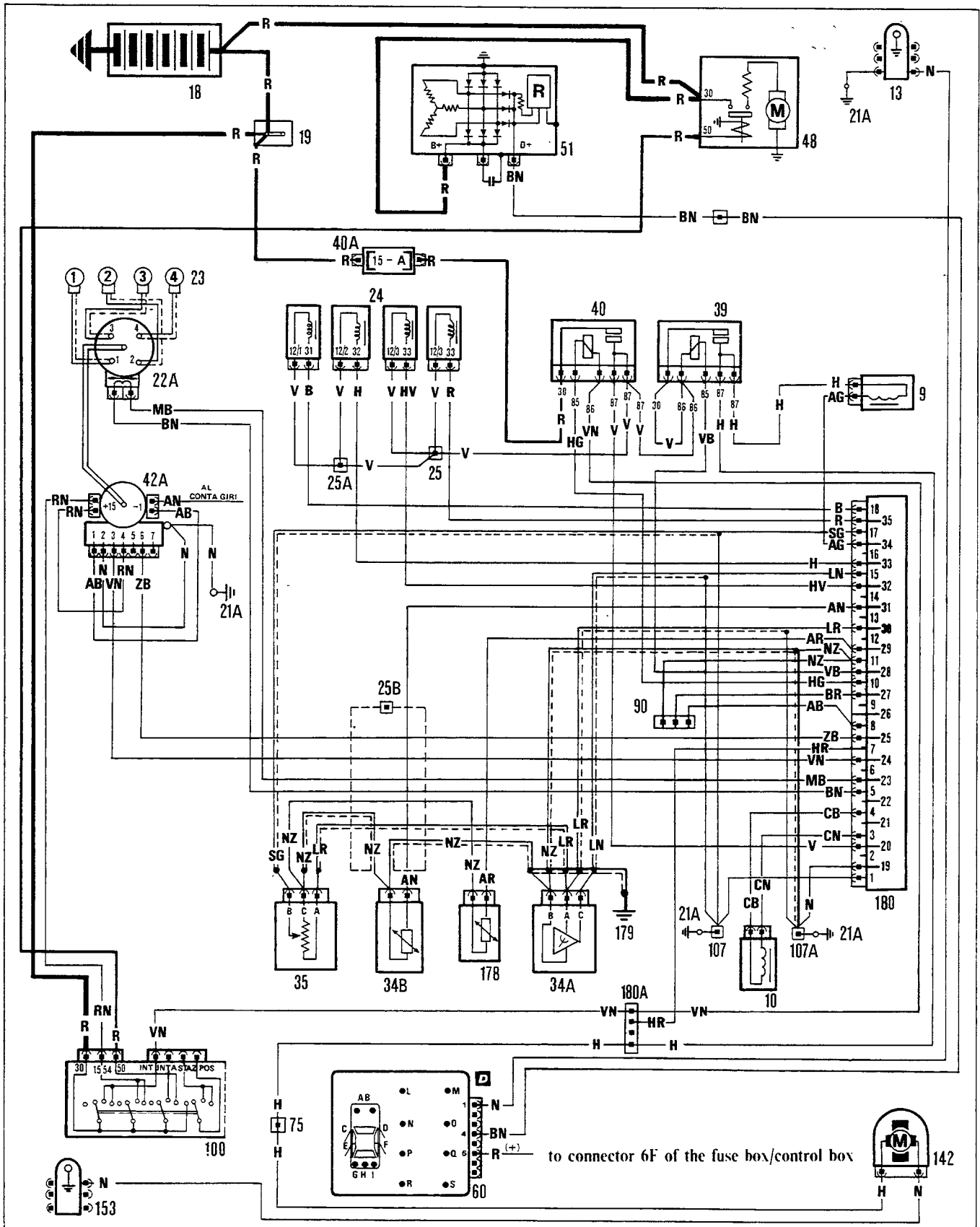
	page
Wiring diagrams	1
Wiring diagrams key	13

Starting - Recharging - Weber injection/ignition (IAW ante-modification) - Fuel pump (see page 13 for key)

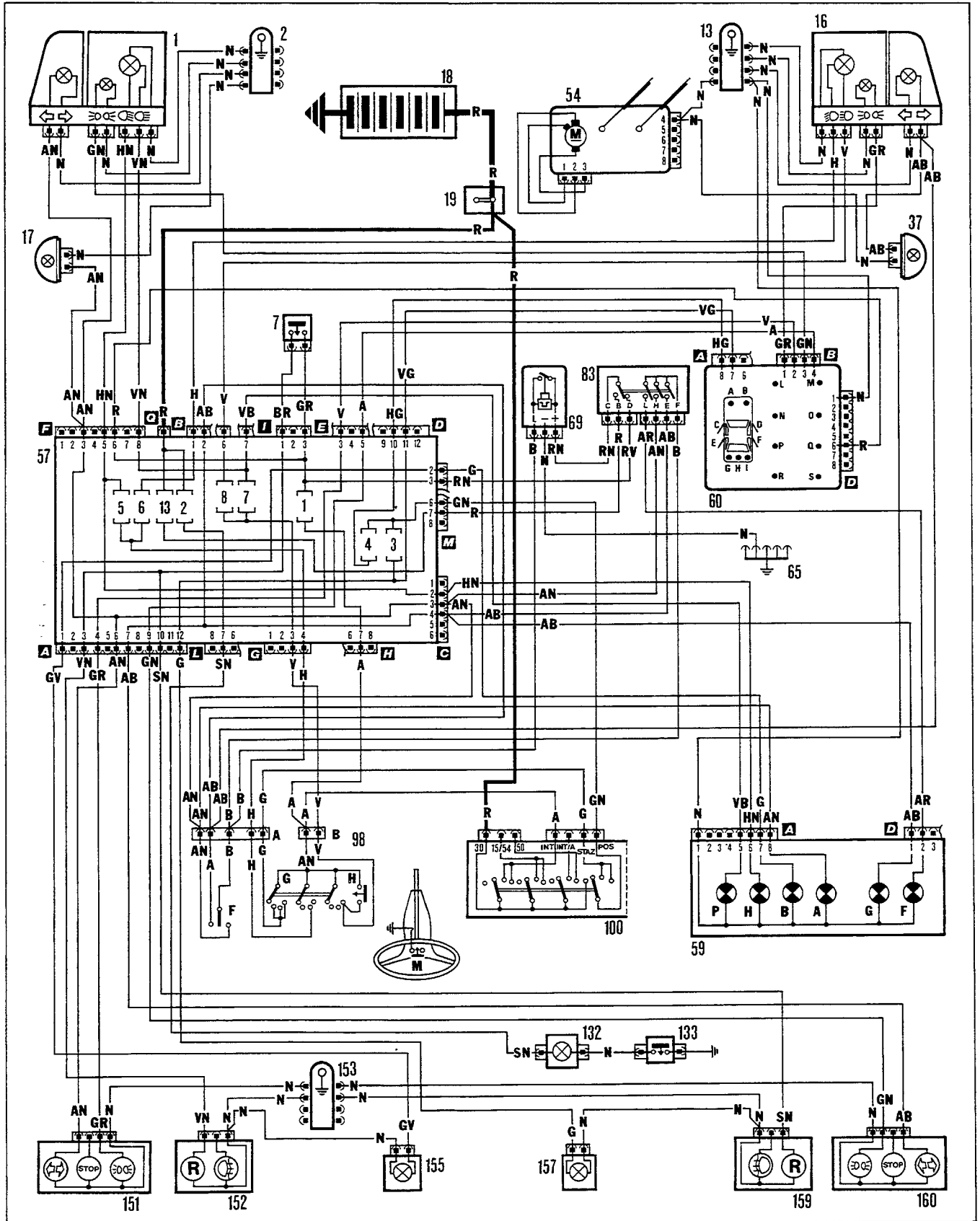


55.

Starting - Recharging - Weber injection/ignition (IAW post-modification) - Fuel pump (see page 13 for key)

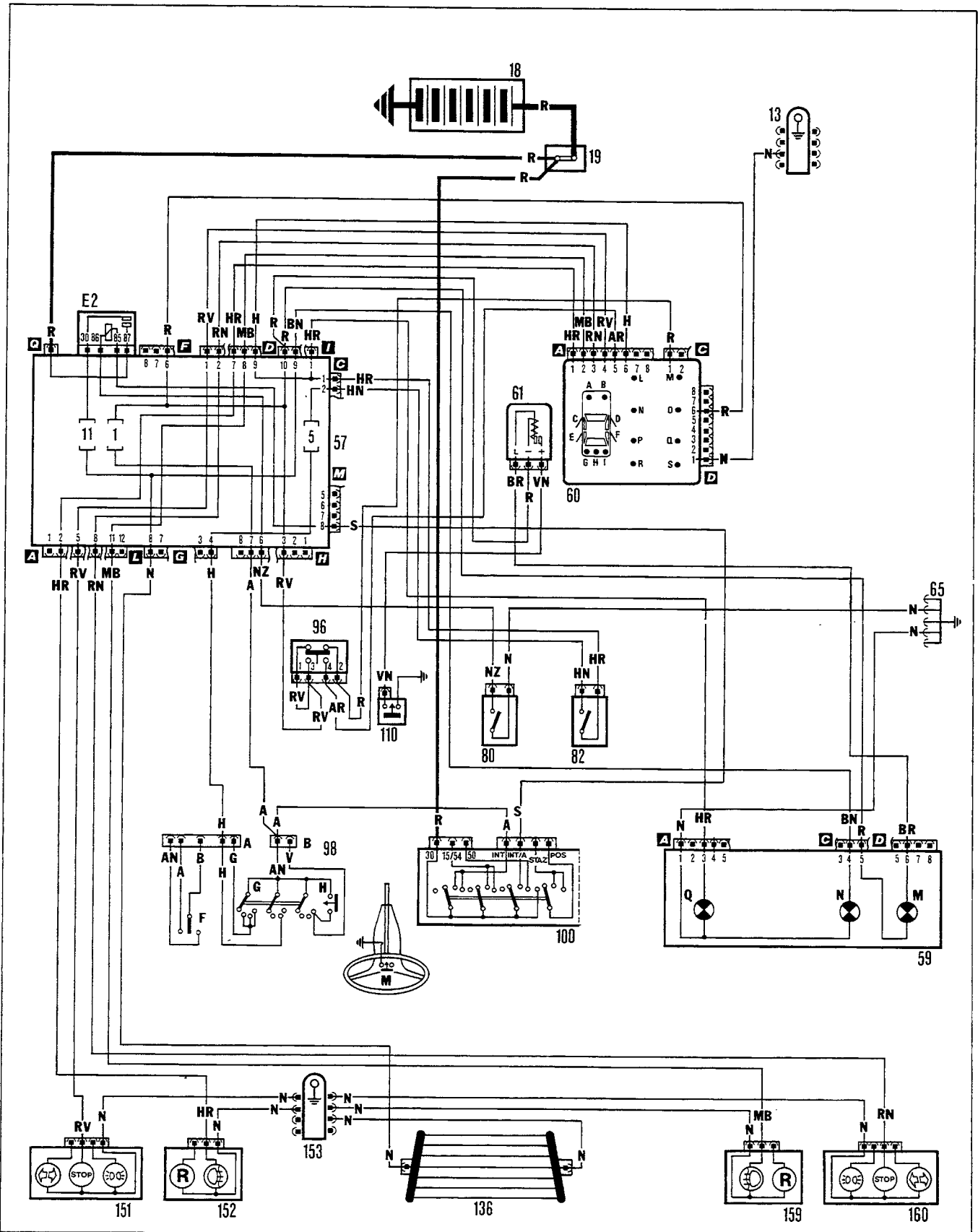


Side lights and warning light - Dipped headlamps - Main beam headlamps and warning light - Driving lights - Direction indicators and warning light - Hazard warning lights and warning light - No. plate light - Luggage compartment light (see page 13 for key)

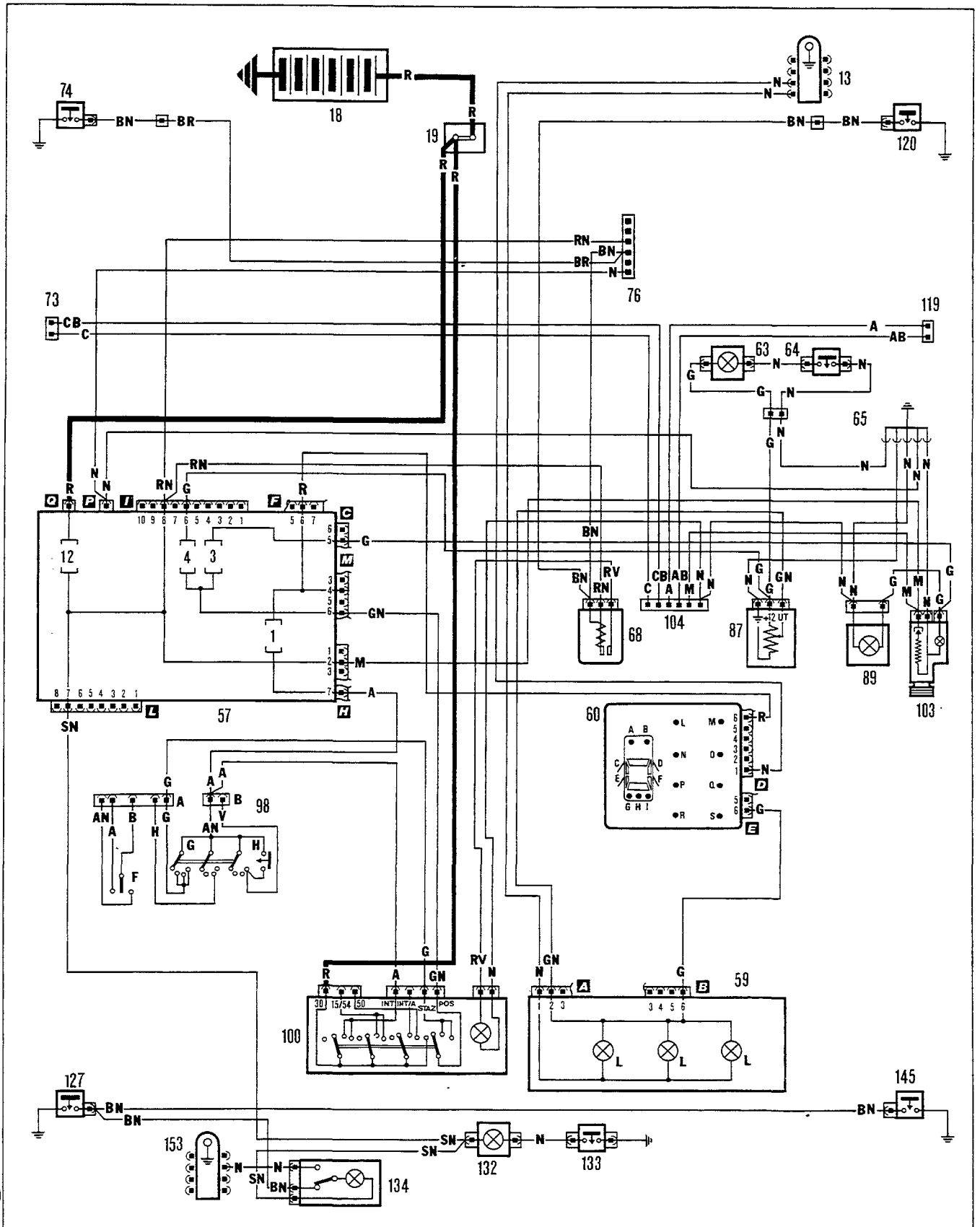


55.

Heated rear windscreen and warning light - Rear fog lamps and warning light - Brake lights - Handbrake warning light (see page 13 for key)

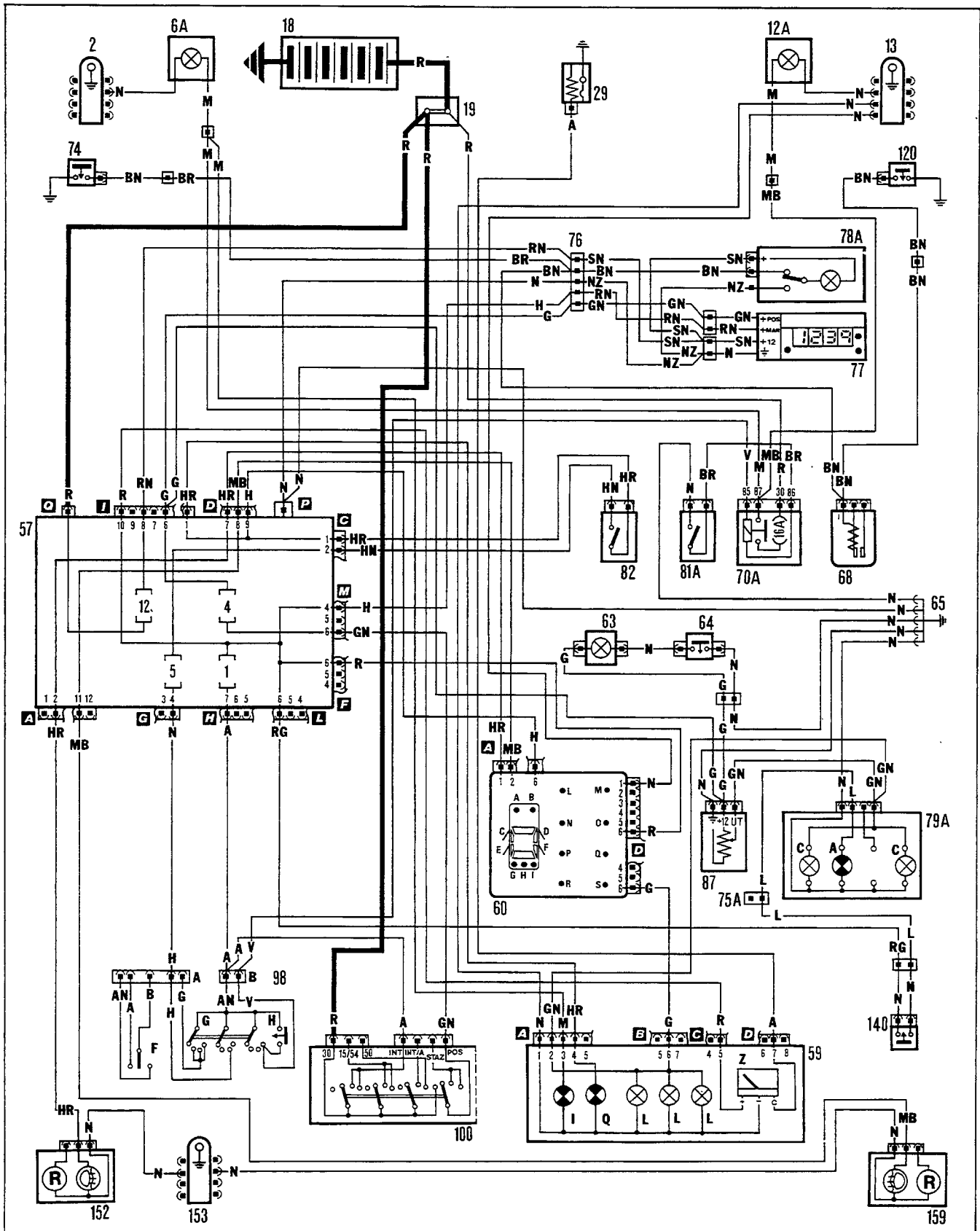


Rear courtesy light - Instrument panel and Control System light - Glove compartment light - Radio wiring - Ideogram switch fibre optic light - Cigar lighter (see page 13 for key)

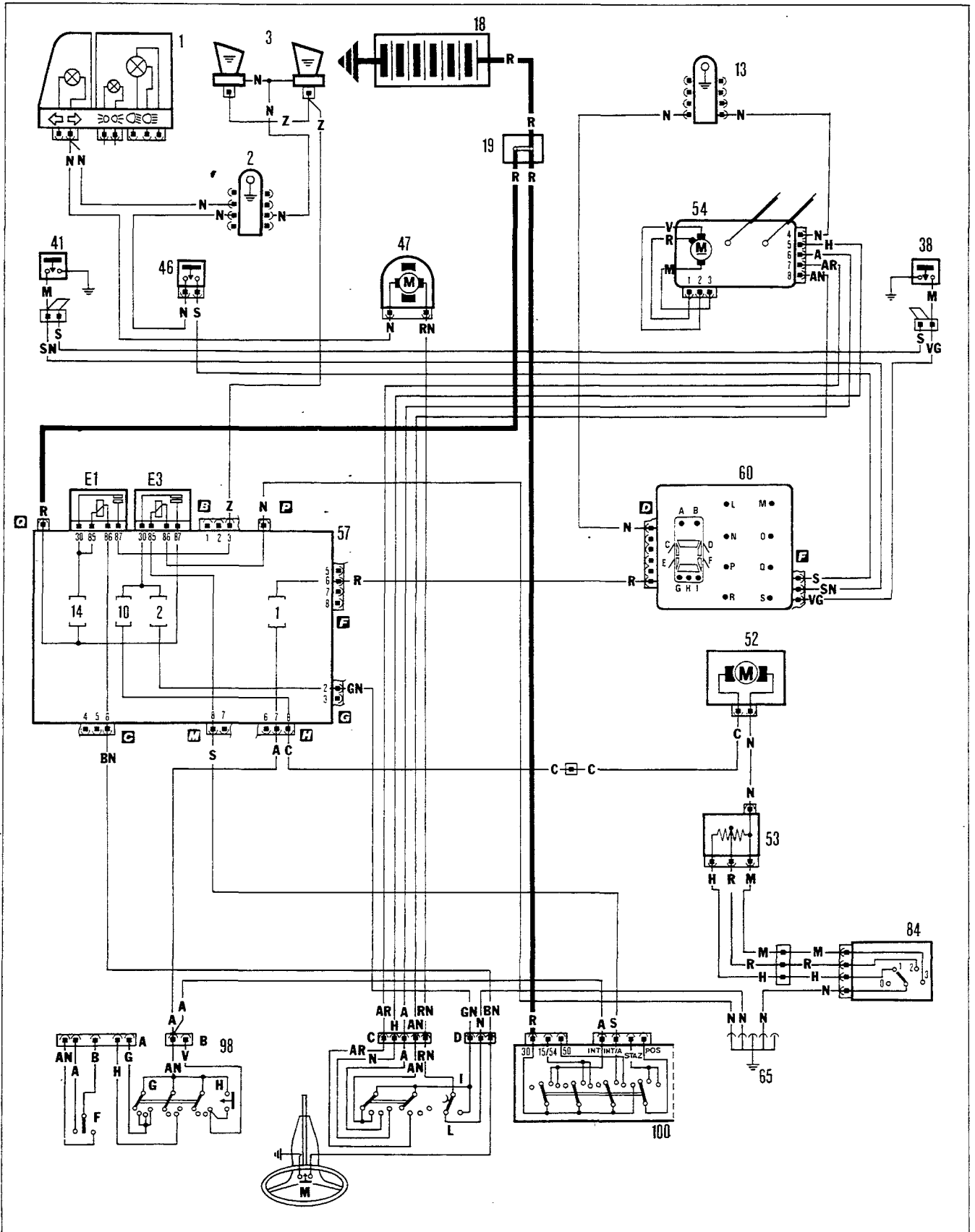


55.

Rear differential engaged warning light - Additional driving light and warning light - Rear fog lamps and warning light - Front courtesy light - Digital clock - Engine oil pressure gauge (see page 13 for key)

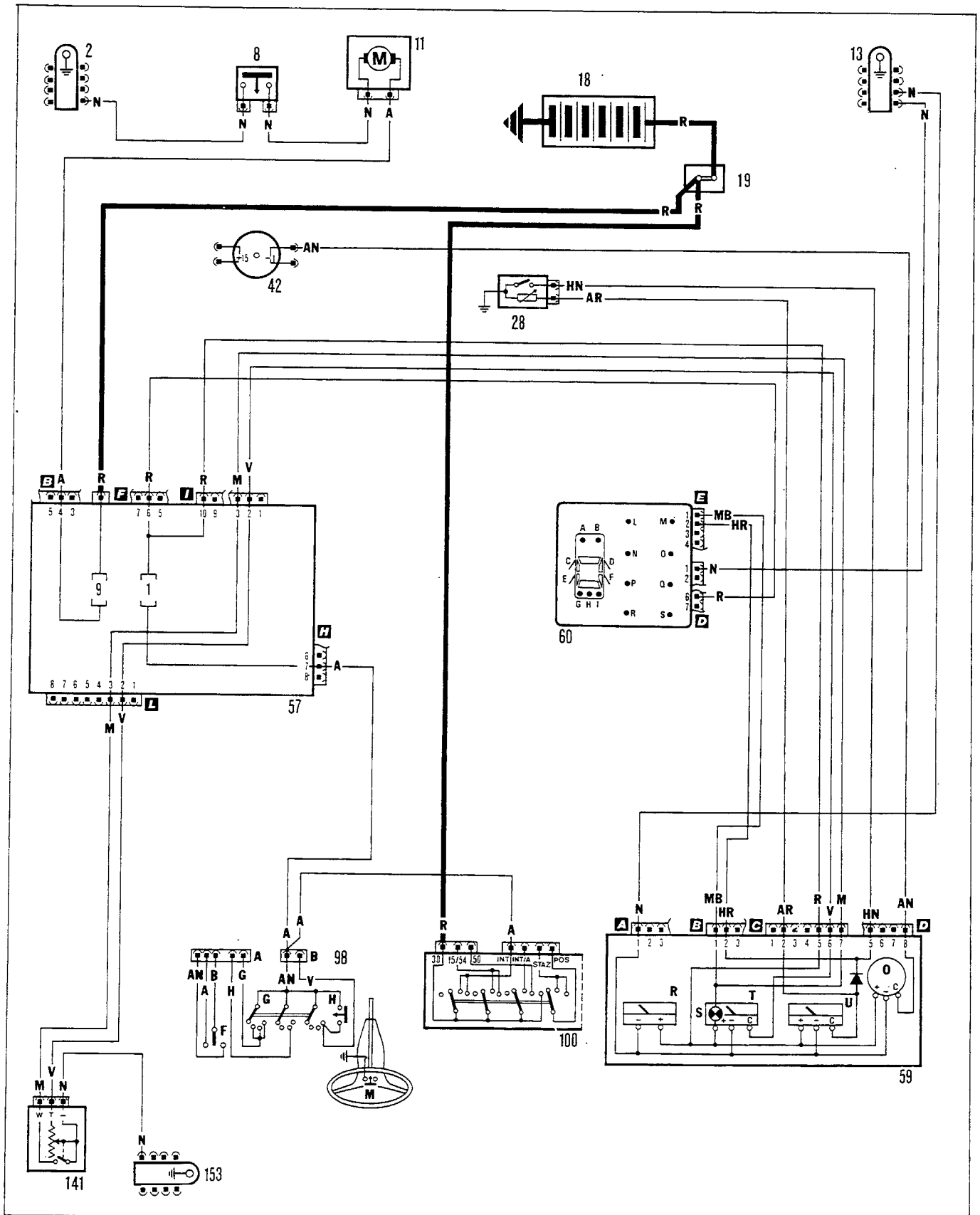


Windscreen wiper - Electric windscreen washer pump - Electric horns - Car interior ventilation - Insufficient brake fluid level - Front brake pad wear (see page 13 for key)

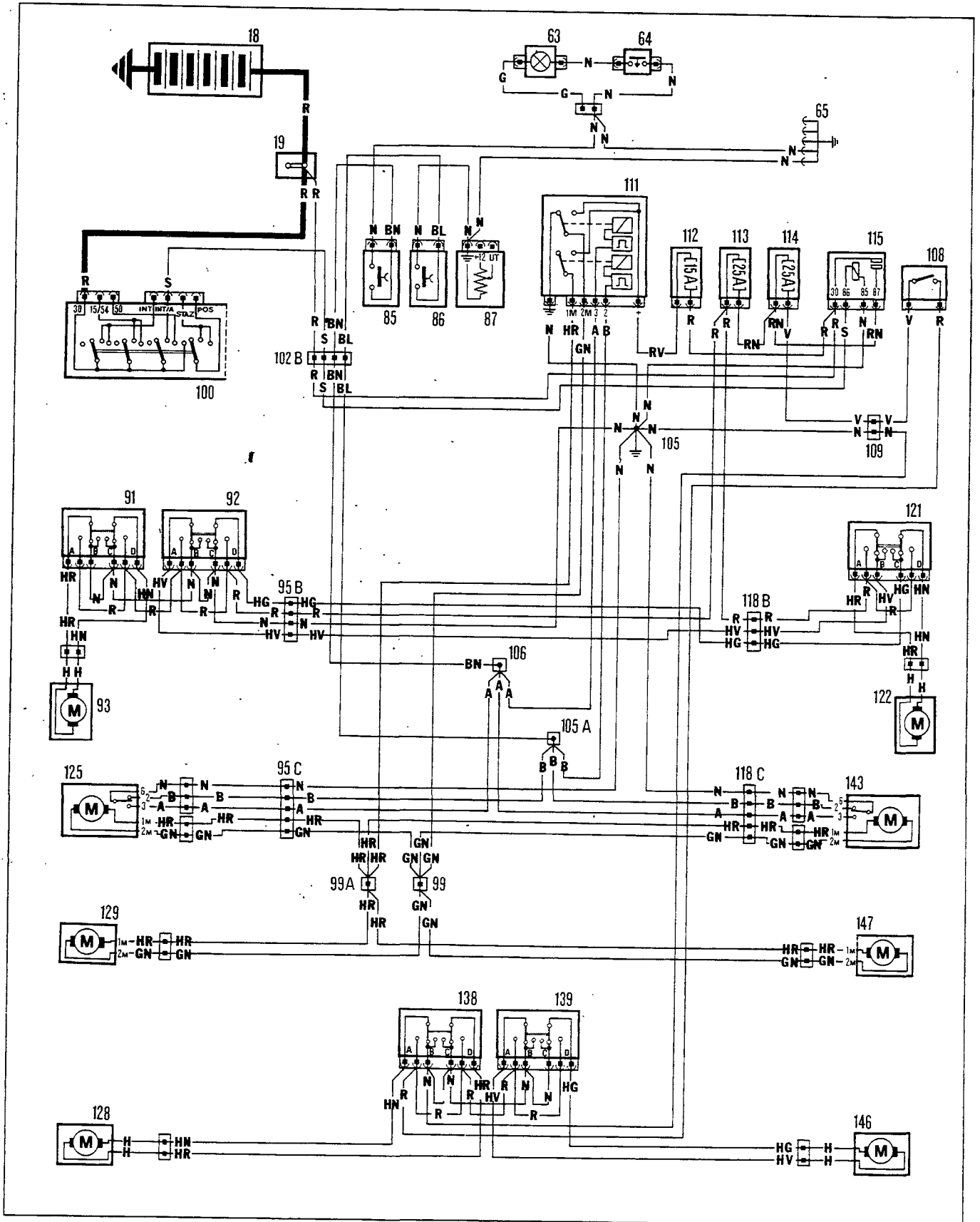


55.

Fuel gauge and reserve warning light - Engine coolant temperature and overheating warning light - Voltmeter - Radiator cooling fan - Rev counter (see page 13 for key)

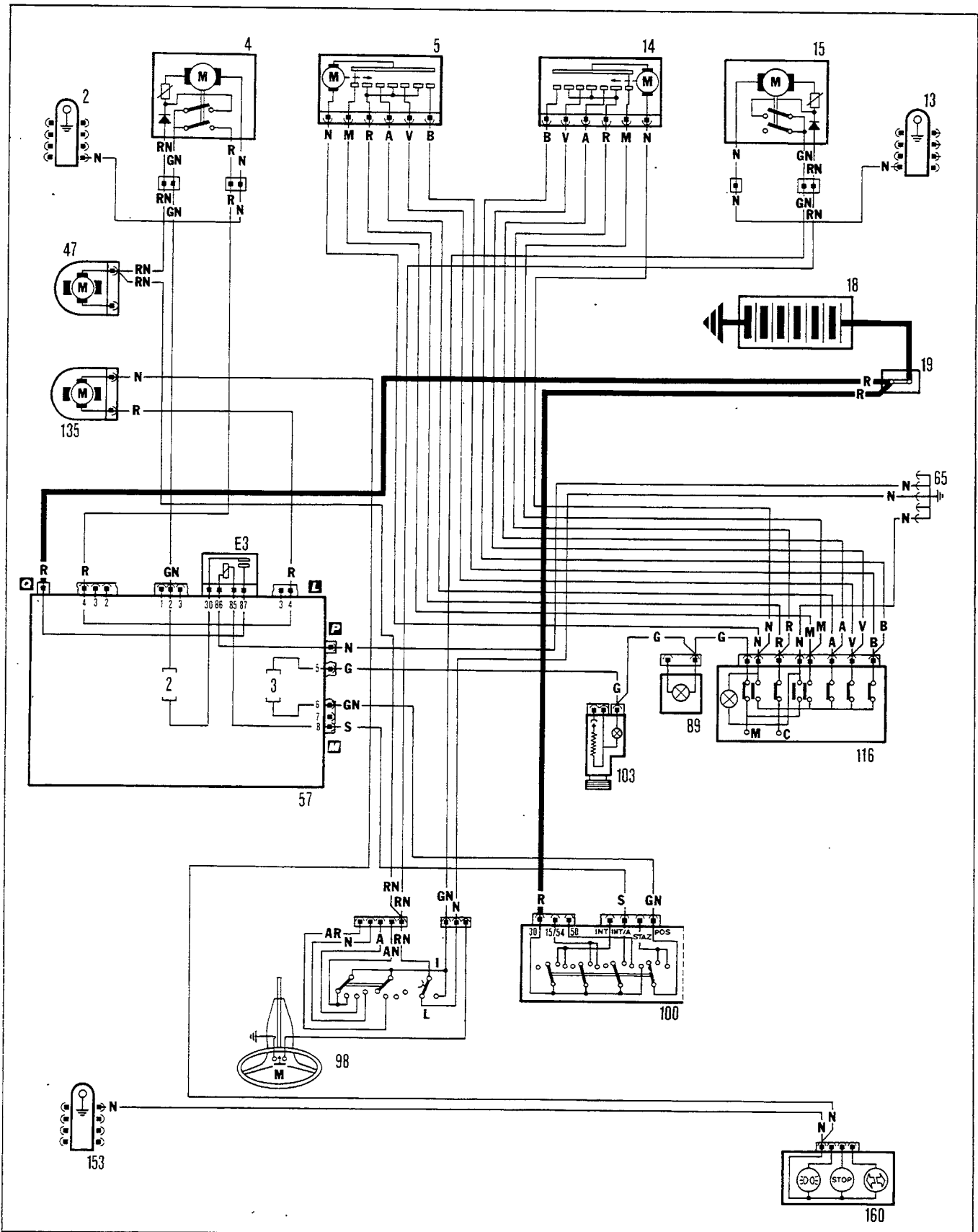


Electric front windows - Electric rear windows - Central locking system (see page 13 for key)

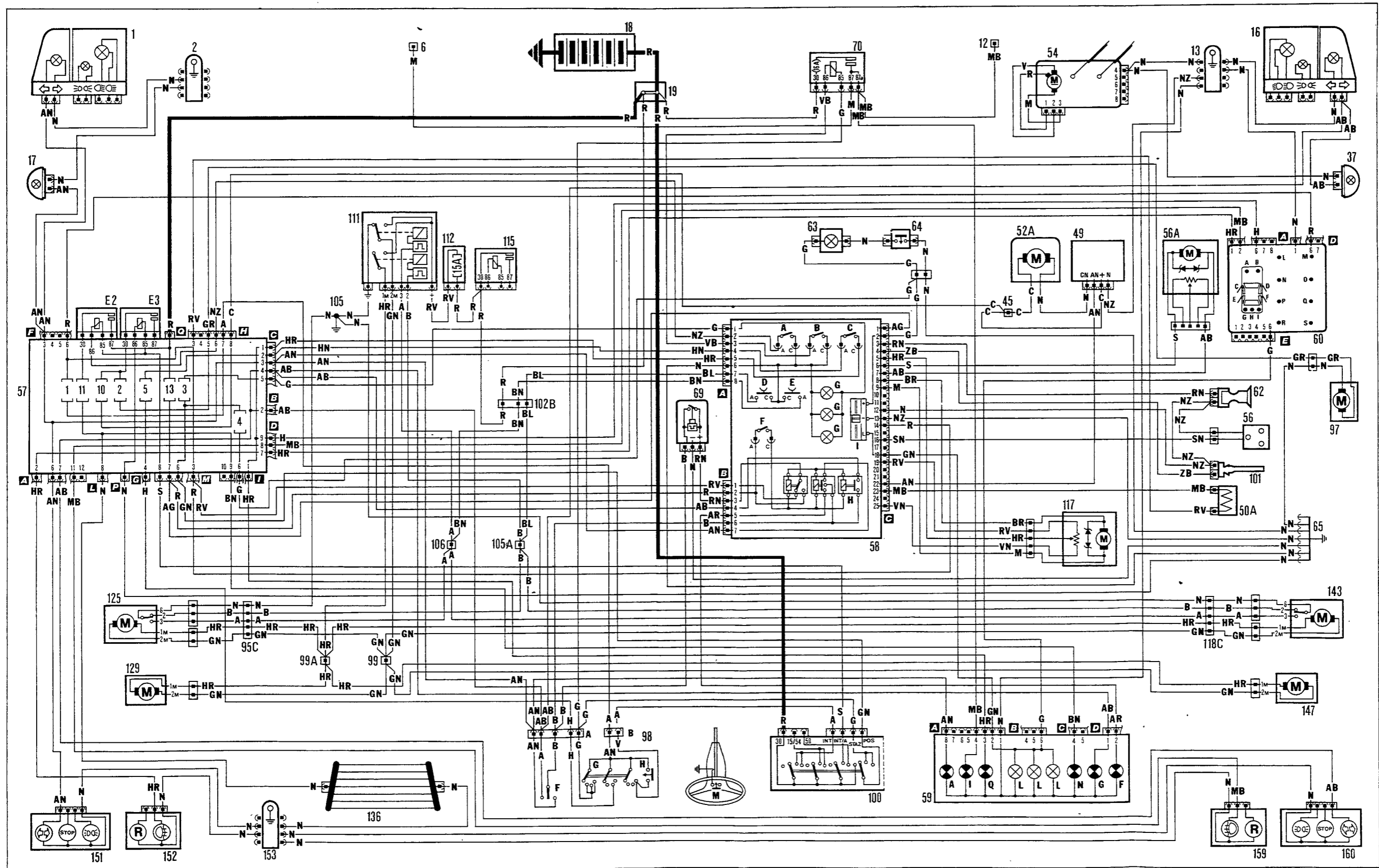


55.

Headlamp alignment - Headlamp wipers - Electric headlamp washer pump (see page 13 for key)

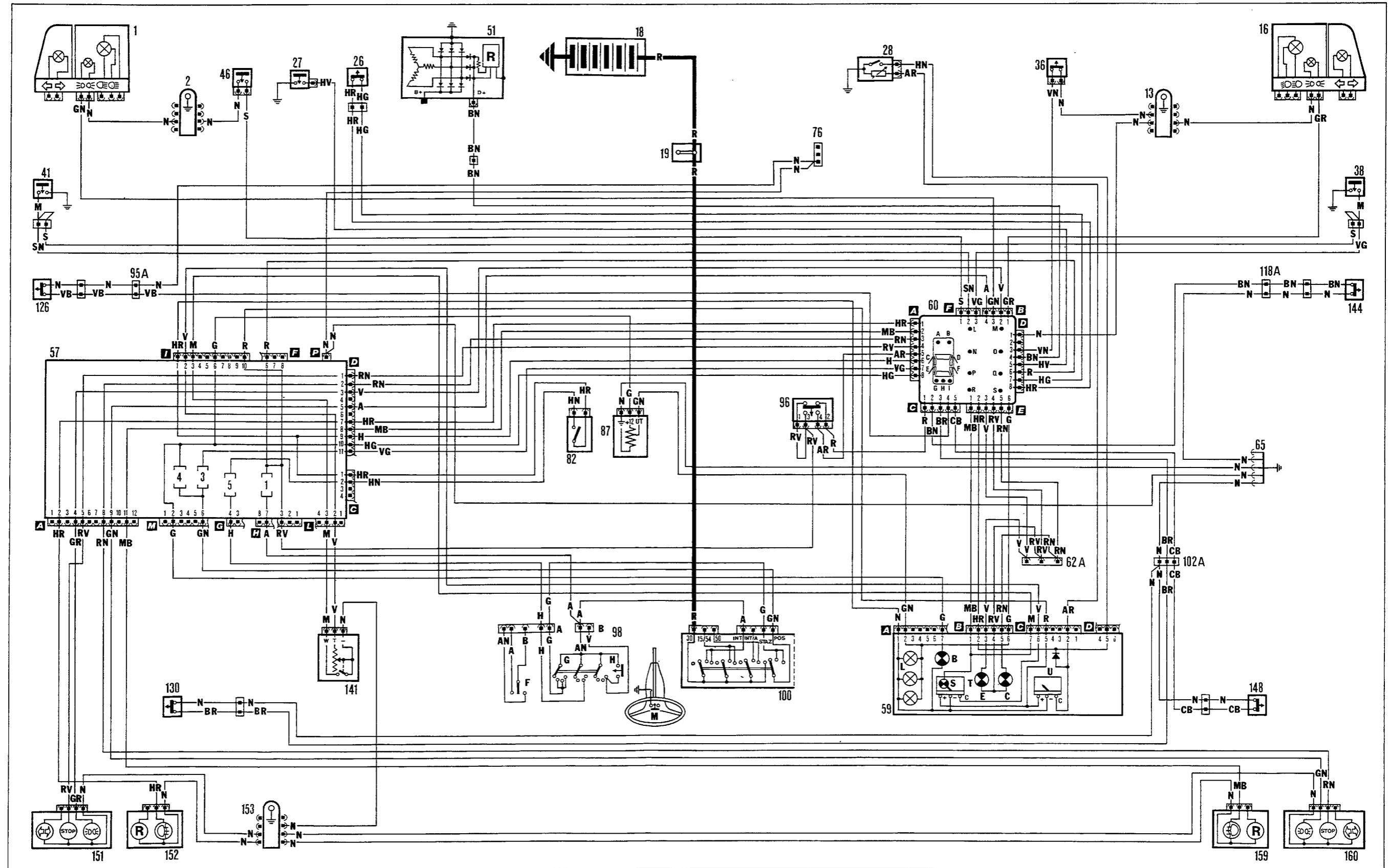


Version with automatic heater (see page 13 for key)



55.

Control System (see page 13 for key)



55.

1. Left front light cluster
2. Left front earth cable loom
3. Electric horns
4. Left headlamp wiper motor
5. Left headlamp alignment correcter
6. Left fog lamp wiring
- 6A. Left front additional driving light
7. Reversing lights switch
- 7A. Starter inhibitor switch on automatic transmission
- 7B. Automatic gearbox oil maximum temperature thermostatic switch
8. Radiator fan thermostatic switch
9. Automatic idle adjustment solenoid valve (IAW)
- 9A. Fuel flow meter
10. Rpm and TDC sensor (IAW)
11. Radiator cooling fan
- 11A. Additional radiator cooling fan
12. Right fog lamp wiring
- 12A. Right front additional driving light
13. Right front earth cable loom
14. Right headlamp alignment corrector
15. Right headlamp wiper
16. Right front light cluster
17. Left side direction indicator
- 17A. External temperature sensor
18. Battery
19. Connector
20. Diagnostic socket
21. Digiplex electronic ignition control unit
- 21A. Earths on engine
22. Ignition distributor
- 22A. Ignition distributor
23. Spark plugs
24. Fuel injectors
- 24A. Cut-off device electronic control unit
25. Connector
- 25A. Connector
- 25B. Connection
26. Engine oil level sensor
27. Insufficient engine oil pressure sensor
28. Coolant temperature sender unit and overheating warning light
29. Engine oil pressure sender unit
30. Butterfly valve position switch on carburettor
- 30A. Thermal switch for P.T.C. on automatic choke
31. Dipped headlamp resistor
32. Diode carrier plate
33. Sensor on TDC pulley (rpm and TDC sensor for 2nd generation Digiplex)
34. Idle cut out device
- 34A. Absolute pressure sensor (IAW)
- 34B. Air temperature sensor (IAW)
35. Butterfly valve position sensor (IAW)
- 35A. Rpm sensor on flywheel
36. Coolant level sensor
37. Right side direction indicator
38. Right front brake pad wear sensor
39. Electric fuel pump relay
40. Injector supply relay
- 40A. Injector and electric fuel pump supply fuse
41. Left front brake pad wear sensor
42. Ignition coil
- 42A. Ignition coil with power module
43. Heated seat protective fuse
44. Heated seat supply relay
45. Connection
46. Brake fluid level sensor
47. Electric windscreen washer pump
- 47A. Thermal switch for P.T.C. on automatic choke
- 47B. Thermal switch for P.T.C. on idle manifold
- 47C. Thermal switch for accelerator pump outlet opening idle cut out solenoid valve
- 47D. Plate
48. Starter motor
49. Electronic speed regulator for heater fan
- 49A. P.T.C. on idle manifold
- 49B. P.T.C. on automatic choke
50. Accelerator pump outlet opening idle cut out solenoid valve
- 50A. Outside air intake flap control valve
51. Alternator
52. Heater fan
- 52A. Ventilation fan
53. Resistor for adjusting heater fan speed
54. Windscreen wiper with built in intermittent device
55. P.T.C. supply fuse
56. Outside air temperature sensor
- 56A. Air mixture motor
57. Fuse and relay control box
 - E1. Electric horn relay
 - E2. Heated rear windscreen relay
 - E3. Heater fan - windscreen wiper - headlamp wiper relay
58. Automatic heater and dashboard controls control unit
 - A. Heated rear windscreen switch
 - B. Fog lamps switch (additional headlamps for 4WD)
 - C. Rear fog lamps switch
 - D. Central locking switch
 - E. Central unlocking switch
 - F. Hazard warning lights switch
 - G. Control unit light bulbs
 - H. Relay for hazard warning lights
 - I. Instrument panel and Control System light dimmer
59. Instrument panel
 - A. Left direction indicators warning light
 - B. Side lights warning light
 - C. Control System (red) general warning light
 - E. (Green) go ahead signal

- F. Hazard warning lights warning light
- G. Right direction indicators warning light
- H. Dipped headlamps warning light
- I. Fog lamps warning light (additional headlamps on 4WD)
- L. Instrument panel light
- M. Handbrake warning light
- N. Heated rear windscreen warning light
- O. Rev counter
- P. Main beam headlamps warning light
- Q. Rear fog lamps warning light
- R. Volt meter
- S. Fuel reserve warning light
- T. Fuel gauge
- U. Coolant temperature gauge
- V. Speedometer switch for trip computer
- X. Heater plugs warning light
- Y. Water in fuel warning light
- Z. Engine oil pressure gauge
- 59A. Instrument panel (version without Control-System)
- C. Battery recharging warning light
- E. Insufficient engine oil pressure warning light
- M. Handbrake and insufficient brake fluid level warning light
- N. Front brake pad wear warning light
- V. Heated rear windscreen warning light
- Z. Coolant overheating warning light
- 60. Control-System
- A. Left front side light failure warning light
- B. Right front side light failure warning light
- C. Right front door not properly shut warning light
- D. Left front door not properly shut warning light
- E. Right rear door not properly shut warning light
- F. Left rear door not properly shut warning light
- G. Left rear side lights and brake lights failure warning light
- H. Rear fog lamps failure warning light
- I. Right rear side lights and brake lights failure warning light
- L. Insufficient brake fluid level warning light
- M. Front brake pads wear warning light
- N. Insufficient engine oil pressure warning light
- O. Battery recharging warning light
- P. Insufficient engine oil level warning light
- Q. Insufficient coolant level warning light
- R. Automatic gearbox oil overheating warning light
- S. Coolant overheating warning light
- 61. Intermittent device for handbrake warning light
- 62. Car interior air temperature sensor
- 62A. Diagnostic socket for Control-System
- 63. Glove compartment light bulb
- 64. Push button for glove compartment light
- 64B. Switch signalling low engine oil pressure
- 64C. Relay for P.T.C. supply
- 65. Earth cable loom under dashboard
- 66. Supply fuse for P.T.C.
- 67A. Relay for starter inhibitor with gear engaged
- 68. Delay device for ignition switch light
- 69. Intermittent device for direction indicators and hazard warning lights
- 70. Fog lamps relay
- 70A. Additional headlamps relay

- 71. Dipped headlamps relay
- 71A. Main beam headlamps relay
- 73. Left front speaker wiring
- 74. Push button for front courtesy light on left front pillar
- 75. Connection
- 75A. Connection
- 76. Connection for courtesy light
- 76A. Connection for courtesy light with digital clock
- 77. Digital clock
- 78. Front courtesy light
- 78A. Front courtesy light with digital clock
- 79. Trip computer
- 79A. Panel for warning light showing rear differential engaged
 - A. Warning light signalling rear differential engaged
 - C. Panel lights
- 80. Heated rear windscreen switch
- 81. Fog lamps switch
- 81A. Additional headlamps switch
- 82. Rear fog lamps switch
- 83. Hazard warning lights switch
- 84. Heater fan switch
- 85. Central locking switch
- 86. Central unlocking switch
- 87. Instrument panel and Control System light dimmer switch
- 88. Driver's seat heated pad
- 89. Switch fibre optic light
- 90. Diagnostic socket
- 91. Left front electric window switch
- 92. Right front electric window switch
- 93. Left front electric window motor
- 95A. Connection
- 95B. Connection
- 95C. Connection
- 96. Brake lights switch
- 96A. Brake lights switch
- 97. Car interior temperature sensor fan
- 98. Steering column switch unit
 - F. Direction indicators control
 - G. Side light, dipped and main beam headlamps control
 - H. Driving lights control
 - I. Windscreen wiper control
 - L. Windscreen washer and headlamp wash/wipe control
 - M. Electric horn control

- 99. Connector
- 99A. Connector
- 100. Ignition switch
- 101. Air mixture temperature sensor
- 102A. Wiring for Control-System
- 102B. Wiring for electric front windows and central locking
- 103. Cigar lighter
- 103A. Gear selector ideogram fibre optic light
- 104. Wiring for radio
- 105. Earth stud
- 105A. Connector
- 106. Connector
- 107. Connector
- 107A. Connector
- 108. Electric rear windows cut out switch
- 109. Wiring for electric rear windows
- 110. Push button for handbrake warning light
- 111. Central locking control unit
- 112. Central locking control unit supply fuse
- 113. Electric front windows supply fuse
- 114. Electric rear windows supply fuse
- 115. Electric windows relay feed
- 116. Headlamp alignment controls
- 117. Car interior air mixture and distribution motor
- 118A. Connection
- 118B. Connection
- 118C. Connection
- 119. Right front speaker wiring
- 120. Push button for front courtesy light on right front pillar
 - 121. Switch for right front electric window
 - 122. Motor for right front electric window
- 125. Left front door locking motor
- 126. Push button signalling left front door open
- 127. Push button for rear courtesy light on left centre pillar
 - 128. Left rear electric window motor
 - 129. Left rear door locking motor
- 130. Push button signalling left rear door open
- 132. Luggage compartment courtesy light
- 133. Luggage compartment courtesy light switch
- 134. Rear courtesy light
- 135. Electric headlamp washer pump
- 136. Heated rear windscreen
- 138. Left rear electric window switch
- 139. Right rear electric window switch
- 140. Rear differential engaged warning light
- 141. Fuel gauge and reserve warning light
- 142. Electric fuel pump
- 143. Right front door locking motor
- 144. Push button signalling right front door open
- 145. Push button for rear courtesy light on right centre pillar
 - 146. Right rear electric window motor
 - 147. Right rear door locking motor
 - 148. Push button signalling right rear door open
- 151. Left rear light
 - 152. Left rear light on tailgate
- 153. Rear earth cable loom
- 155. Left no. plate light
- 157. Right no. plate light
- 159. Right rear light on tailgate

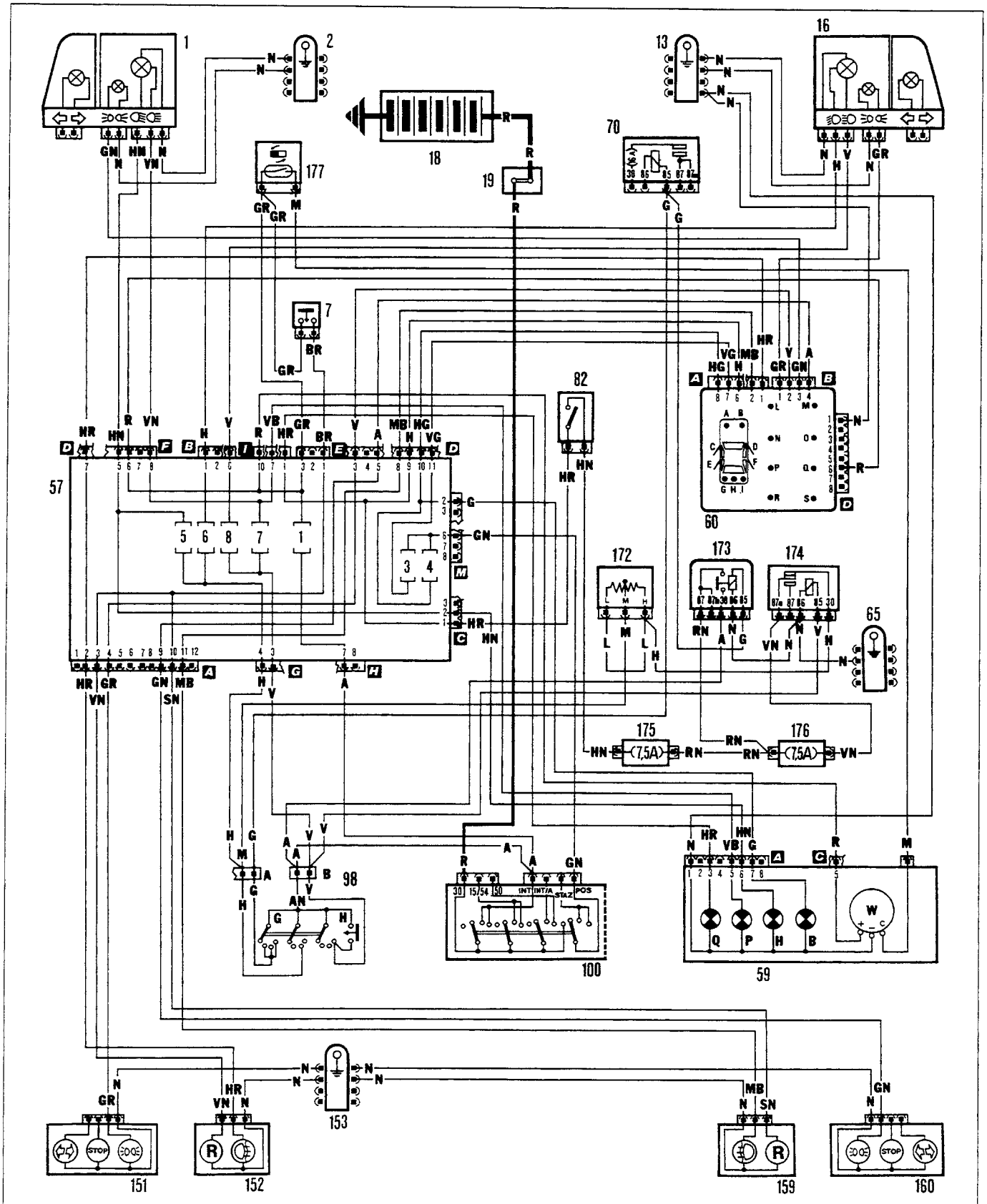
- 160. Right rear light
- 161. Thermal switch for air conditioning system radiator and condenser fan
- 162. Thermal switch for air conditioning system safety device
- 363. Idle pressure switch
- 164. Anti-frost thermostat
- 165. Fast idle solenoid valve
- 166. Air conditioning system compressor pulley electro-magnet coupling
- 167. Electro-magnet coupling protective fuse
- 168. Fast idle solenoid valve and electro-magnet coupling relay feed
- 169. Radiator cooling fan protective fuse
- 170. Radiator cooling fan relay feed
- 171. Air conditioning system switch
- 178. Coolant temperature sensor (IAW)
- 179. Earth on bodywork
- 180. Injection/ignition system electronic control unit (IAW)
- 180A. Connection
- 181. Resistor for radiator cooling fan 1st speed
- 183. Thermal switch for dual operating range radiator fan
- 185. Heater plugs control unit
- 186. Heater plugs
- 187. Sensor for water in fuel filter warning light
- 188. Engine cut out solenoid valve on injection pump
- 191. Thermal switch for air conditioning system compressor electro-magnet coupling

Cable colour code

- | | |
|-----------|-------------------|
| A | Light Blue |
| B | White |
| C | Orange |
| G | Yellow |
| H | Grey |
| L | Blue |
| M | Brown |
| N | Black |
| R | Red |
| S | Pink |
| V | Green |
| Z | Violet |
| AB | Light Blue-White |
| AG | Light Blue-Yellow |
| AN | Light Blue-Black |
| AR | Light Blue-Red |
| AV | Light Blue-Green |
| BG | White-Yellow |
| BL | White-Blue |
| BN | White-Black |
| BR | White-Red |
| BV | White-Green |
| BZ | White-Violet |
| CA | Orange-Light Blue |
| CB | Orange-White |
| CN | Orange-Black |
| GN | Yellow-Black |
| GL | Yellow-Blue |
| +R | Yellow-Red |
| GV | Yellow-Green |
| HG | Grey-Yellow |
| HN | Grey-Black |
| HR | Grey-Red |
| LB | Blue-White |
| LG | Blue-Yellow |
| LN | Blue-Black |
| LR | Blue-Red |
| LV | Blue-Green |
| MB | Brown-White |
| MN | Brown-Black |
| NZ | Black-Violet |
| RB | Red-White |
| RG | Red-Yellow |
| RN | Red-Black |
| RV | Red-Green |
| SN | Pink-Black |
| VB | Green-White |
| VN | Green-Black |
| VR | Green-Red |

Version: RIGHT HAND DRIVE

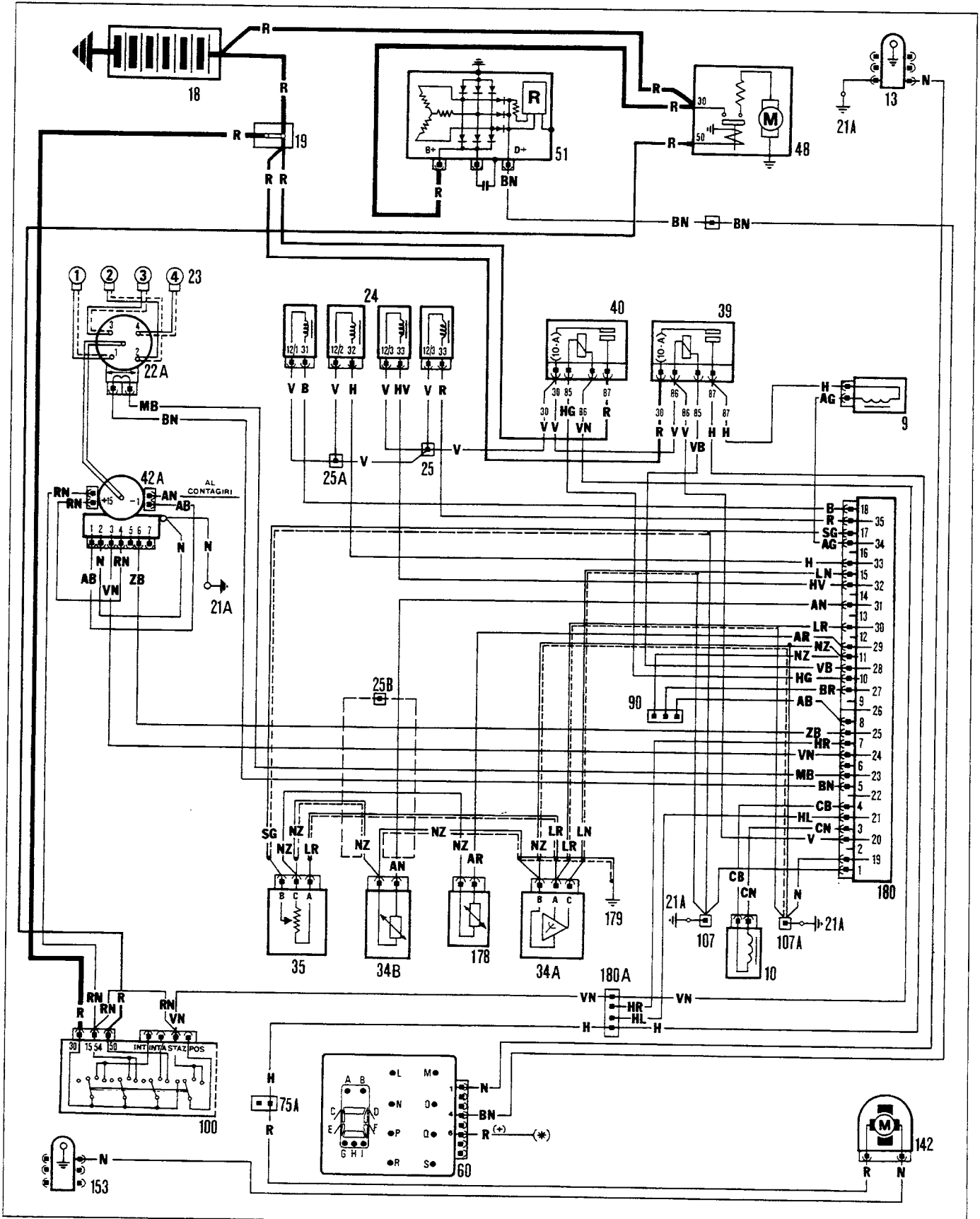
Side lights and warning light - Dipped beam dimmed with DIM-DIP device - Main beam and warning light - Flasher (see key on page 19)



55.

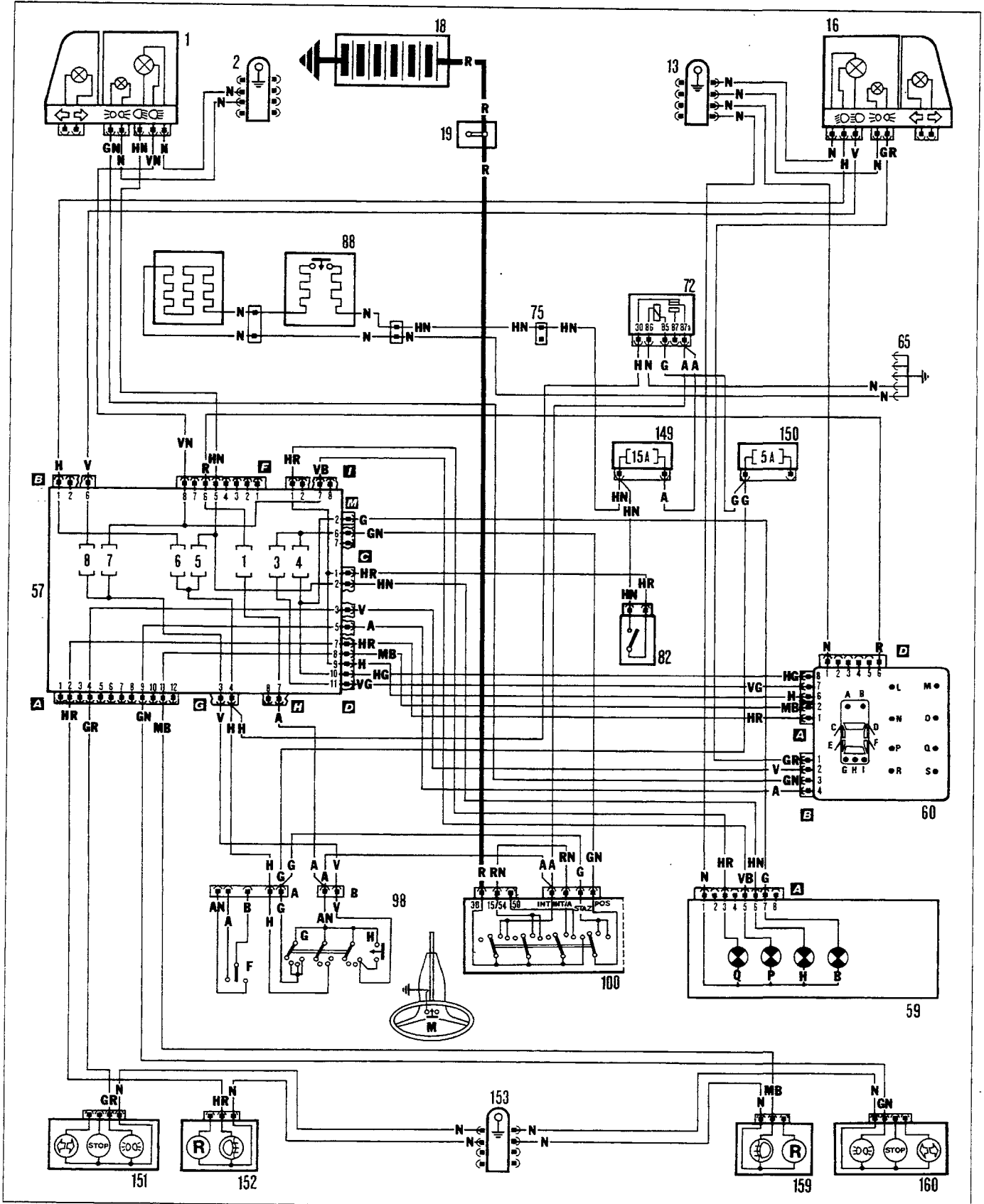
Version: SCANDINAVIA

Starting- Recharging-Weber ignition injection (I.A.W.) - Fuel feed pump (see key on page 19)



Version: RIGHT HAND DRIVE

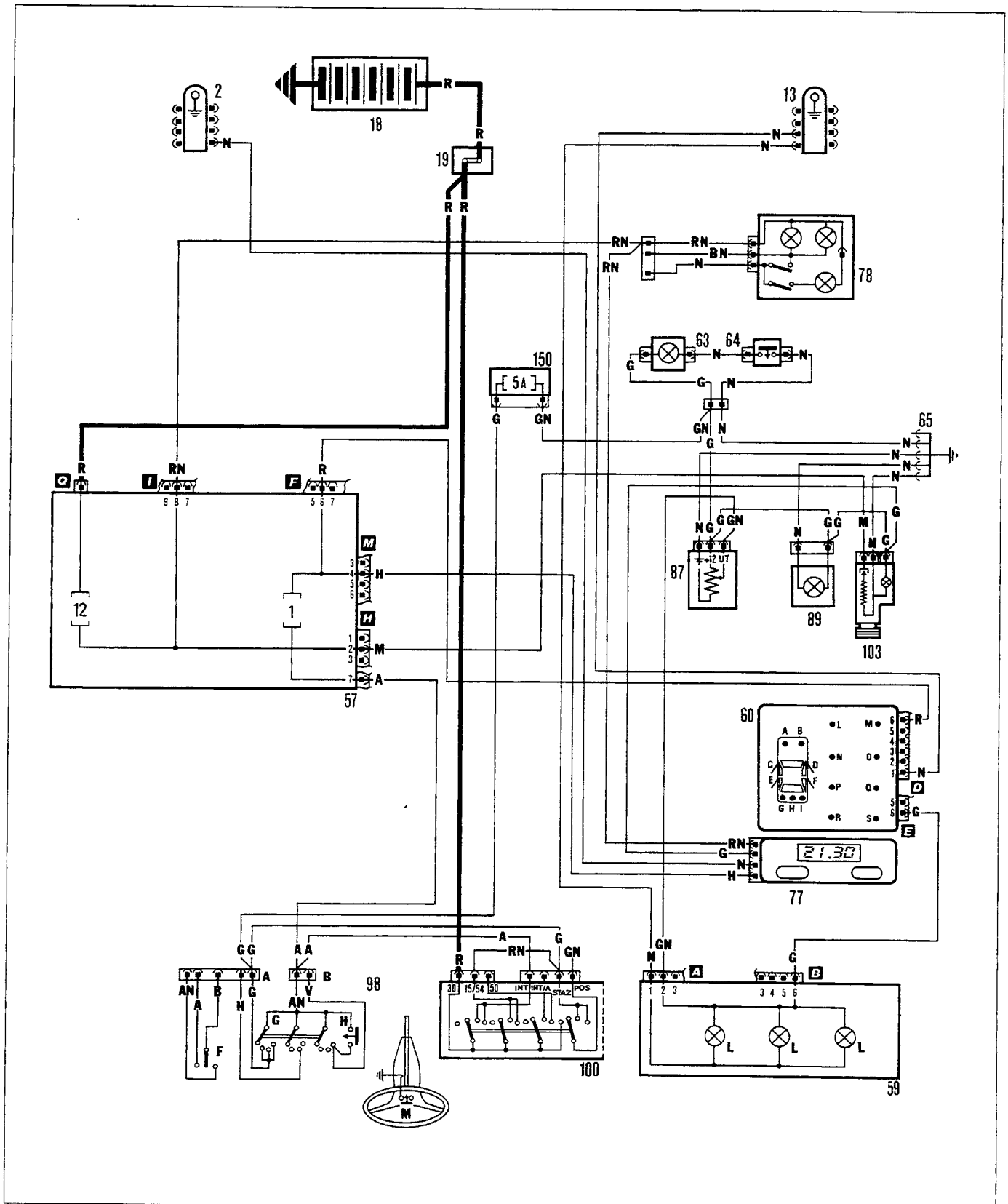
Side lights and warning light - Dipped beam and warning light - Main beam and warning light - Flasher - Rear fog lamp and warning light - Heated seats (see key on page 19)



55.

Version: SCANDINAVIA

Digital clock - Control panel and Check Panel lighting - Glove compartment lighting - Switch symbol lighting fibre-optic bulb - Cigarette lighter (see key on page 19)



Key

- 1. L. front light cluster
- 2. L. front earth loom
- 7. Reversing light switch
- 9. Solenoid
- 10. Rpm and TDC sensor
- 13. R. front earth loom
- 16. R. front light cluster
- 18. Battery
- 19. Shunt node
- 21A. Engine earth
- 22A. Ignition distributor
- 24. Electric fuel injector
- 25. Shunt node
- 25A. Shunt node
- 25B. Connection
- 34A. Absolute pressure sensor
- 34B. Air temperature sensor
- 35. Throttle position sensor
- 39. Electric fuel pump relay
- 40. Electric injector supply relay
- 42A. Ignition coil with power module
- 48. Starter motor
- 48. Starter motor
- 51. Alternator
- 57. Fuse and relay control box
- 59. Control panel
- B. Side light warning light
- H. Dipped beam warning light
- L. Control panel lighting bulbs
- P. Main beam warning light
- Q. Rear fog lamp warning light
- W. Electronic speedometer
- 60. Check Panel
- 63. Glove compartment light bulb
- 64. Glove compartment light control button
- 65. Under facia earth loom
- 72. Daytime light relay
- 75. Connection
- 75A. Connection
- 77. Digital clock
- 78. Front courtesy light
- 82. Rear fog lamp switch
- 87. Check Panel and control panel light dimmer
- 88. Heated seat
- 89. Fibre-optic switch lighting bulb
- 90. Check socket
- 98. Steering column switch unit
- 100. Ignition switch
- 103. Cigarette lighter
- 107. Shunt node
- 107A. Shunt node
- 142. Electric fuel pump
- 149. Rear fog lamp and heated seat fuse
- 150. Instrument lights. Check Panel and clock fuse
- 151. L. rear light
- 152. L. rear light on tailgate
- 153. Rear earth loom
- 159. R. rear light on tailgate
- 160. R. rear light
- 172. DIM-DIP circuit resistance
- 173. DIM-DIP circuit relay
- 174. DIM-DIP circuit cut-out remote control switch
- 175. Rear fog lamp circuit fuse
- 176. DIM-DIP circuit fuse
- 177. Tachymetric generator
- 178. Coolant temperature sending unit
- 179. Body earth
- 180. Weber electronic injection control unit
- 180A. Connection